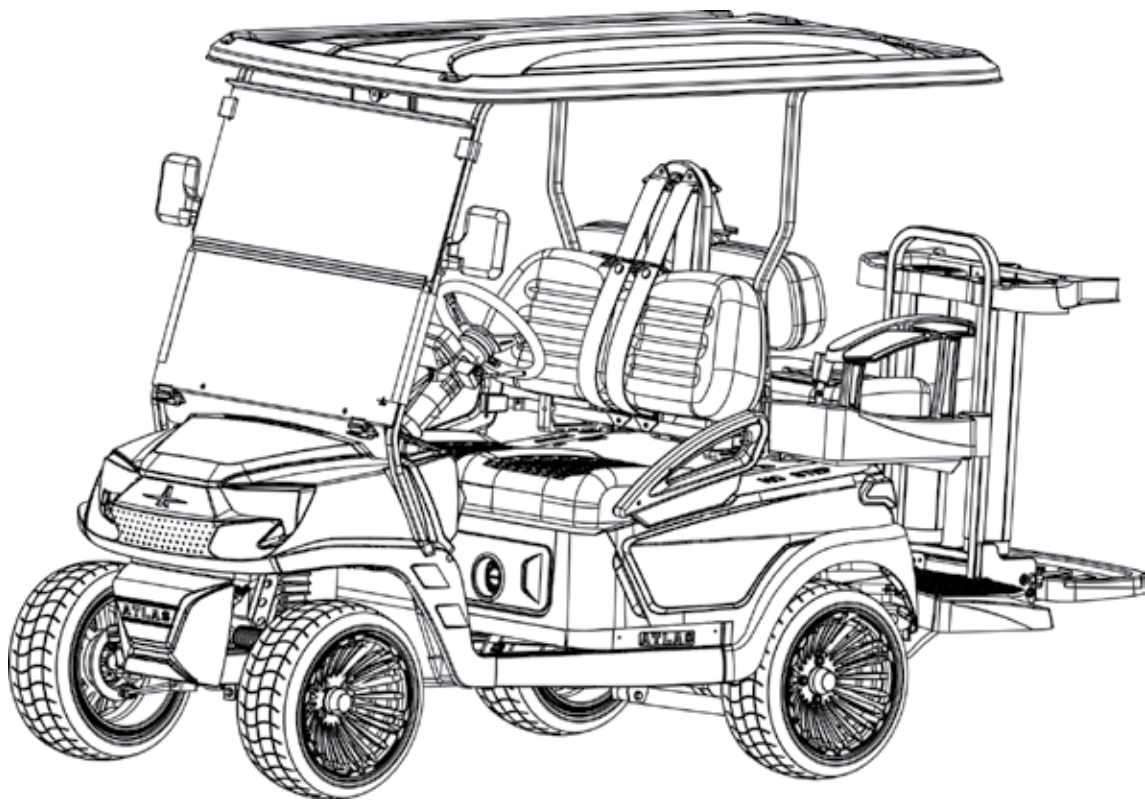


**ATLAS**



**Parts Manual**  
Atlas Four Passenger



# Parts Manual

Atlas Four Passenger

Model 4N

Atlas Carts  
111 County Road 214  
Liberty Hill, TX 78642  
US: (833) UR-ATLAS  
OUTSIDE US: (706) 553-4592

Use this manual to identify and order service parts. Refer to the table of contents to find the pages that contain the parts and assemblies.

# Table of Contents

## SECTION

### 1

#### **Chassis**

Chassis . . . . .	4
Tire Installation . . . . .	5
AC Controller . . . . .	6
Rear Axle Tube Assembly . . . . .	7–8
Rear Suspension . . . . .	9
Four Wheel Disc Brake . . . . .	10

## SECTION

### 2

#### **Body**

Steering Wheel Assembly . . . . .	11
Pedal Installation . . . . .	12
Brake Pedal Assembly . . . . .	13
Front Body Installation . . . . .	14–15
Front Dash Installation . . . . .	16–18
Rear Body Installation . . . . .	19–20
Rear Body Base Installation . . . . .	21–22
Seat Installation . . . . .	23
EVA spacer under seat . . . . .	24
3-point seat belt assembly . . . . .	25
Split Windshield Top Assembly, and Rear Seat Assembly . . . . .	26–27
Plastic Folding Rear Seat . . . . .	28–30
Plastic Folding Rear Seat belt installation drawing . . . . .	31
Optional Plastic Folding Rear Seat golf bag holder . . . . .	32

## SECTION

### 3

#### **Electric**

Lithium Battery installation . . . . .	33
Wire Harness . . . . .	34–36

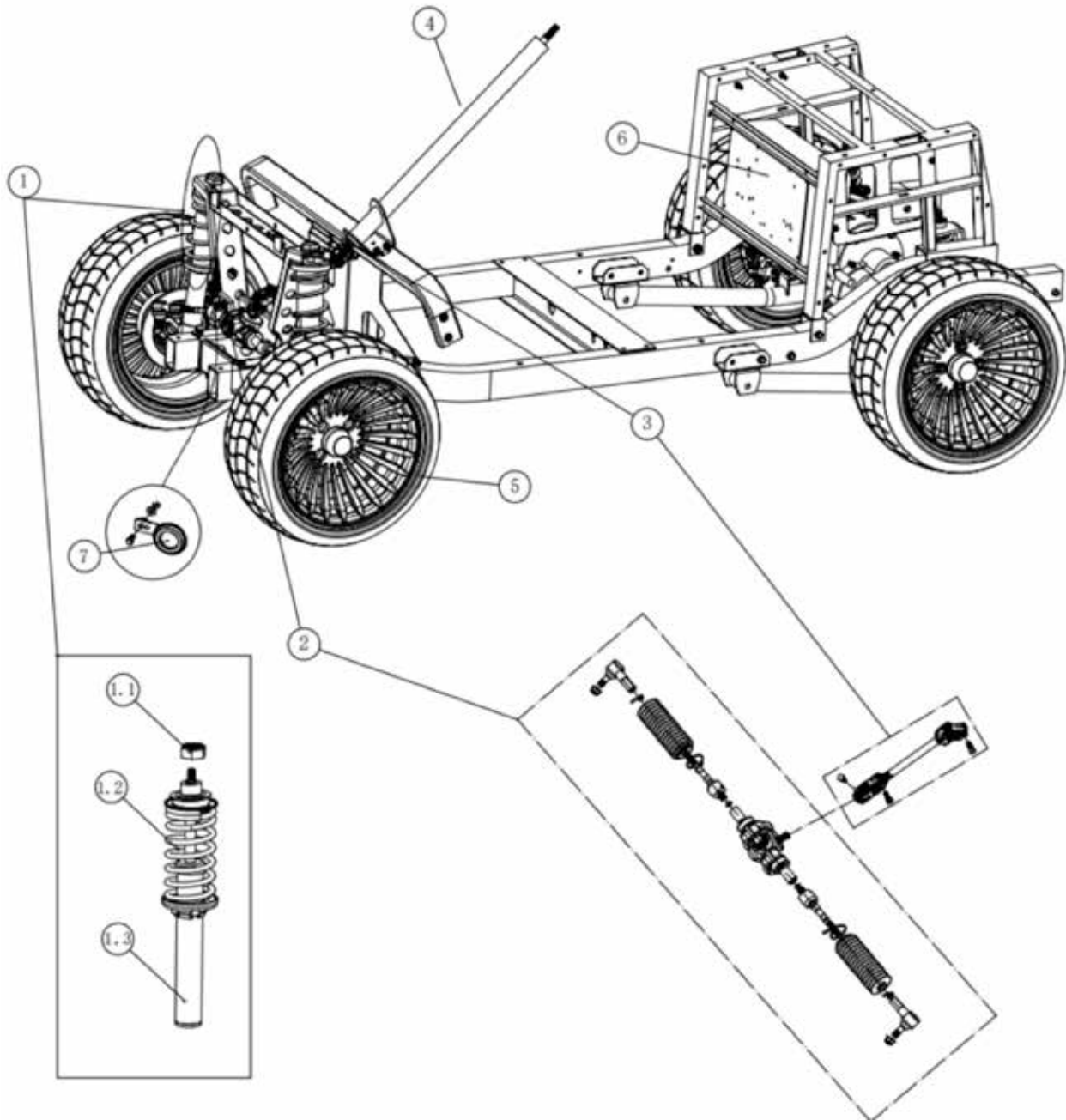
## SECTION

### 4

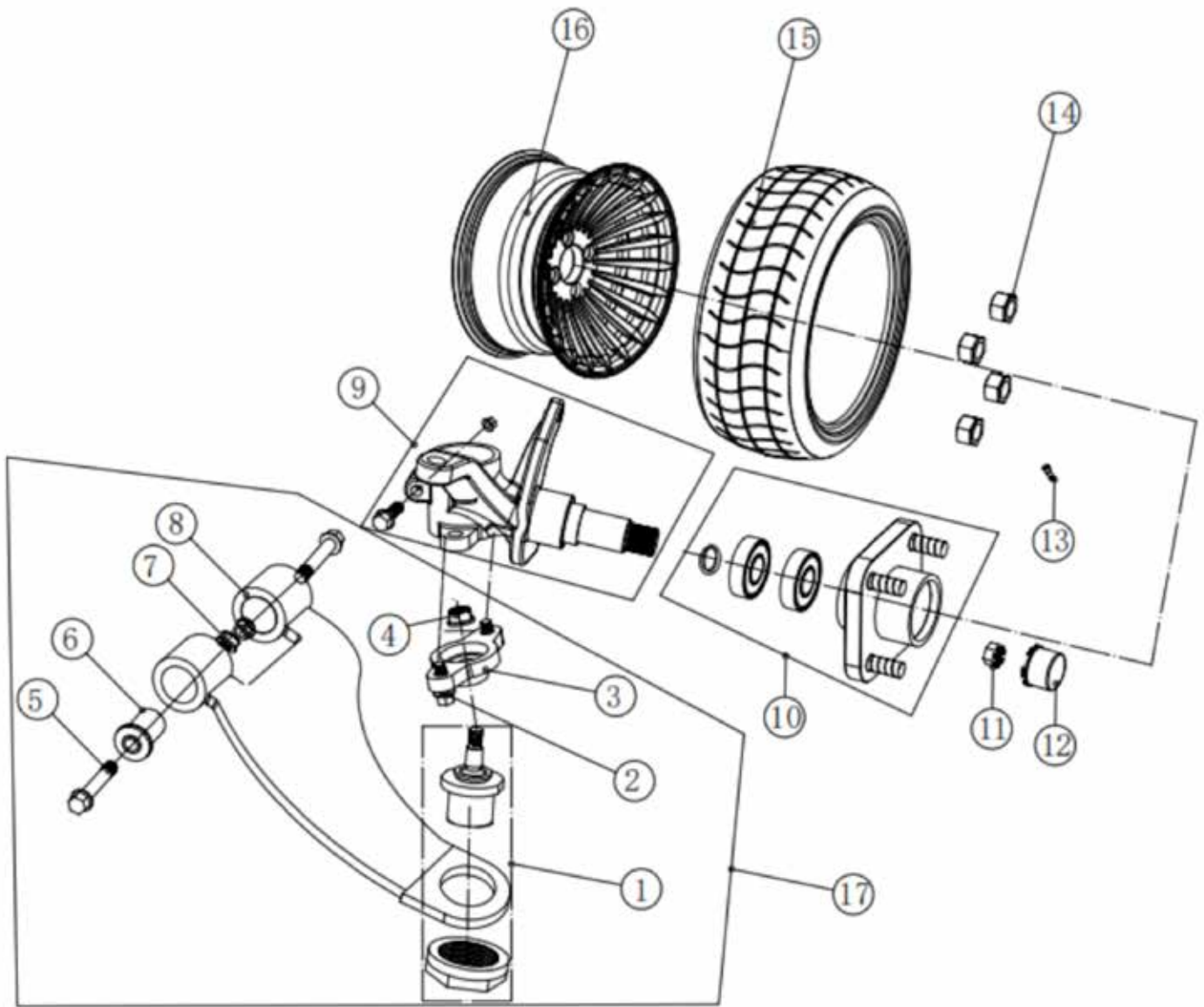
#### **Decals**

Safety decals . . . . .	37–38
Logo and Safety decals . . . . .	39–40

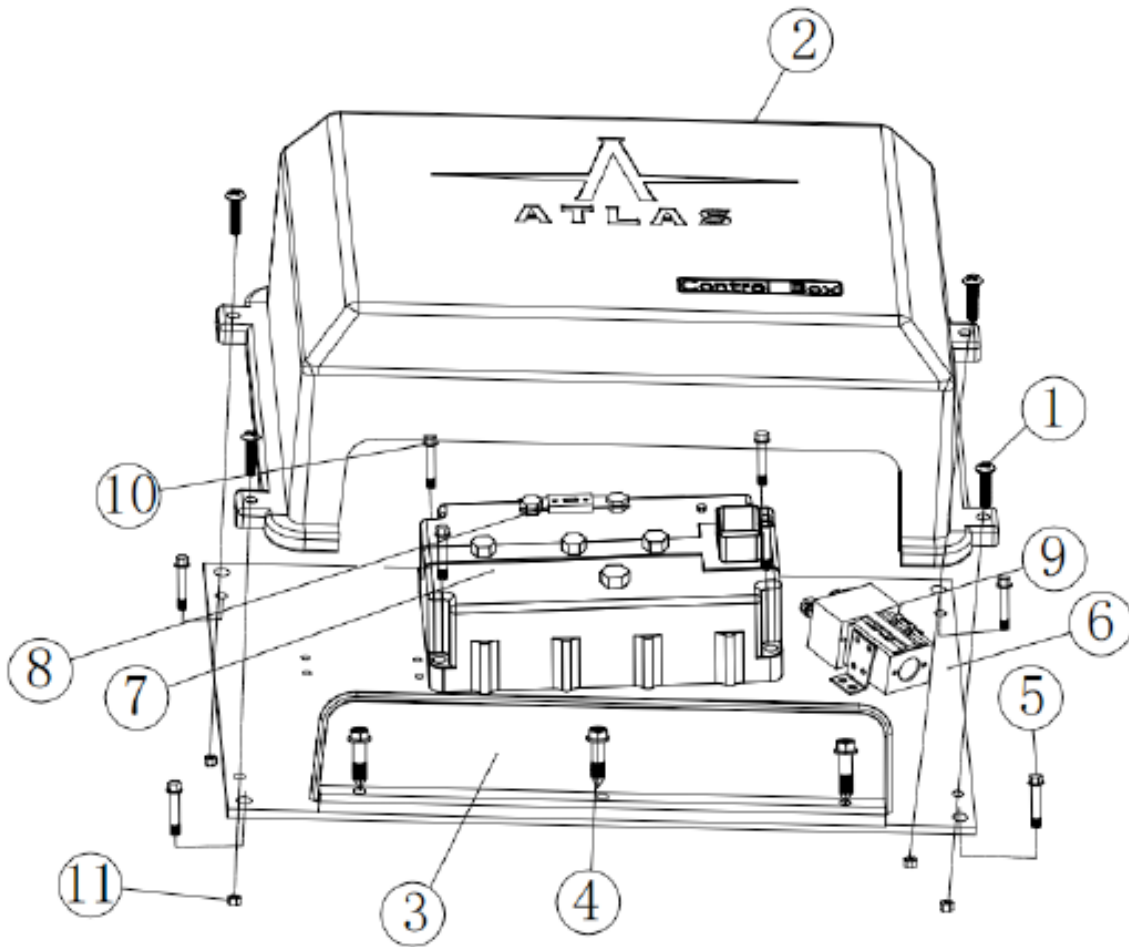
Parts Manual Tracking Sheet . . . . .	41
---------------------------------------	----



No.	Description	Part Number	Qty	No.	Description	Part Number	Qty
1	Front shock absorber assembly (absorber, spring, w/ fasteners)	2.01.01.02.001	2	4	Steering column, w/ fasteners	4.02.01.01.045	1
1.1	Nut M35x1.5 / 1035	4.02.04.01.058	1	5	14" Tire assembly (215/35-14) wheel included	2.01.01.13.012	4
1.2	Front spring	4.02.04.01.020	1	6	Controller assembly, w/ fasteners for 4N	2.01.02.01.204.4N	1
1.3	Front shock absorber	4.02.04.01.048	1	7	12V Horn, fasteners included	4.04.02.06.021	1
2	73A Steering system assembly	4.02.01.06.001	1				
3	Universal joint assembly, w/ fasteners	4.02.01.01.046	1				

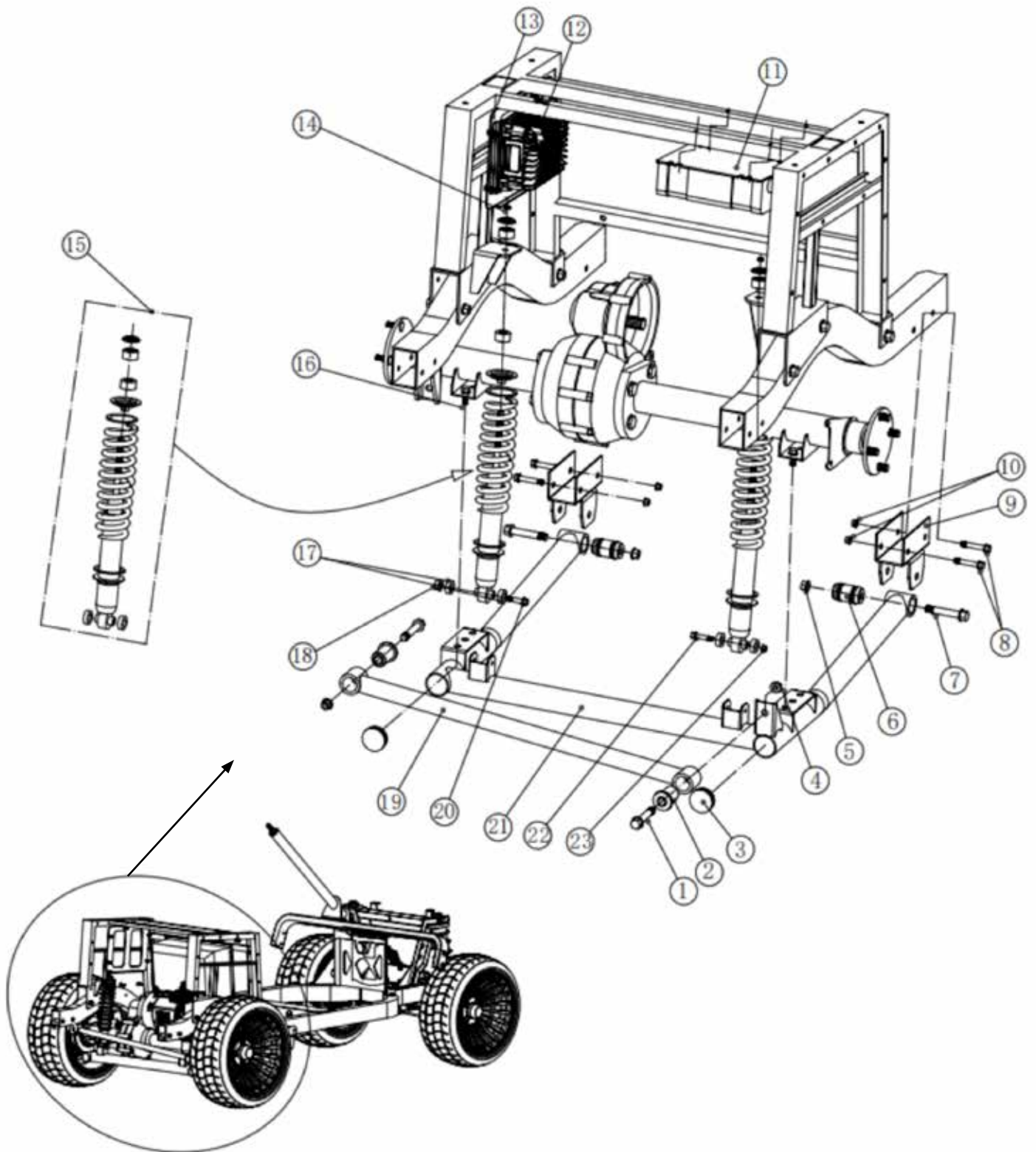


No.	Description	Part Number	Qty	No.	Description	Part Number	Qty
1	Tie Rod, Rocker Arm	4.02.04.01.071	2	10	Hub assembly (Hub / long w/ fasteners	2.01.01.05.008	1
2.	Flange screw M10x25 / 1035	4.03.02.01.032	4	11	Split nut M20x1.5 / 1018	4.03.04.03.007	4/cart
3.	Spindle shaft base	4.02.01.01.018	2	12	Wheel center cap	4.02.07.04.013	4/cart
4	Self locking nut M10x1.25 / 1035	4.03.04.01.004	2	13	Valve stem	4.02.07.03.001	4/cart
5	Flange screw M12x75 / 1035	4.03.02.01.043	2	14	1/2-20x21x14 Lug nut /80a	4.03.04.03.001	16/cart
6	Rocker arm bushing	4.02.04.01.005	2	15	215/35-14 Tire	4.02.07.01.089	4/cart
7	M12 Lock nut M12x1.25 / 1035	4.03.04.01.005	4	16	14-5 Wheel	4.02.07.02.046	4/cart
8A	Rocker arm LH	3.02.01.30.013	1	17A	Rocker arm assembly LH	2.01.01.04.002	1
8B	Rocker arm RH	3.02.01.30.081	1	17B	Rocker arm assembly RH	2.01.01.04.020	1
9A	Spindle LH	4.02.02.10.006	1				
9B	Spindle RH	4.02.02.10.007	1				



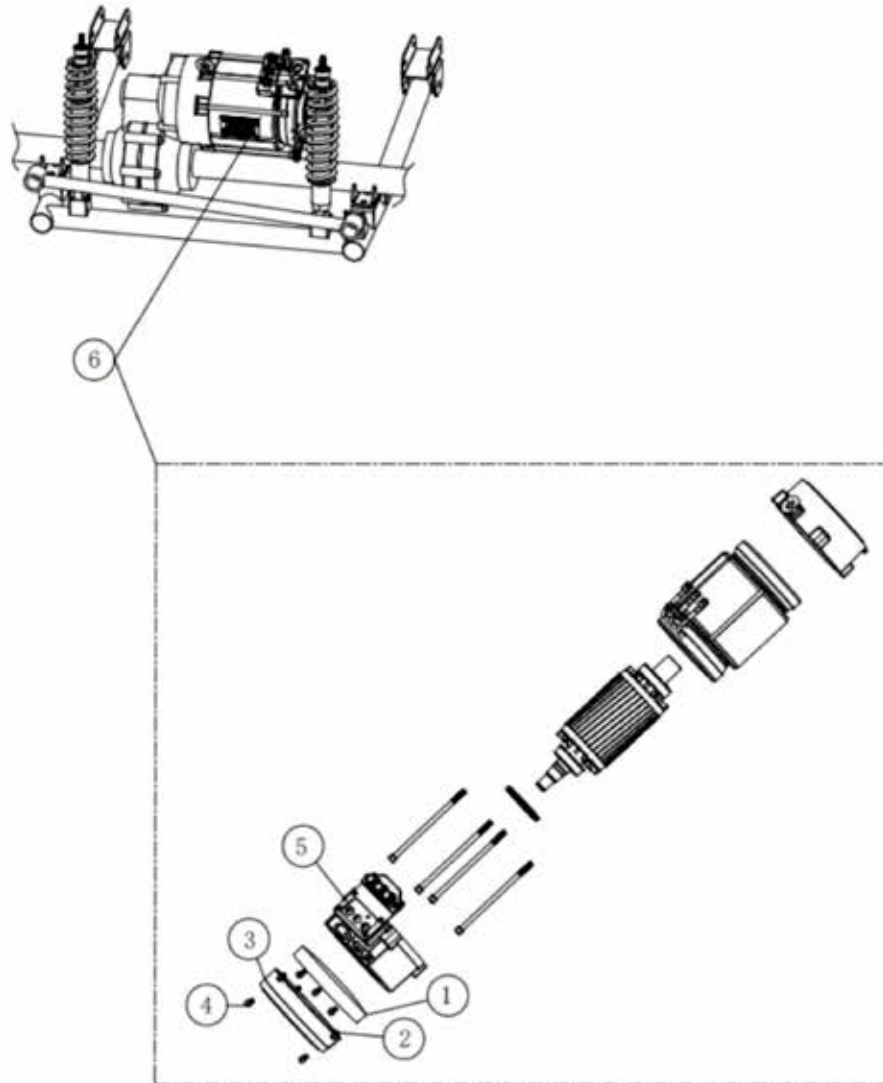
No.	Description	Part Number	Qty
1	Stainless steel flat head bolt M6x25	4.03.03.07.025	4
2	Controller cover / fasteners included	4.05.01.03.003	1
3	Controller cover baffle / fasteners included	4.05.01.03.002	1
4	Stainless steel hexagonal self-tapping cross bolt M5x16 / black	4.03.02.06.007	5
5	Flange screw M6x25 / 1035	4.03.02.01.005	4
6	Controller aluminum heat sink / fasteners included	4.01.16.09.193	1
7	KCCA0293 Controller 48V 350A for 4N	4.04.01.05.039.4N	1
8	Fuse / 400A	4.04.06.10.012	1
9	48V Solenoid / SW180B-108	4.04.01.12.007	1
10	Flange screw M8x25 / 1035	4.03.02.01.015	4
11	Stainless steel nut M8	4.03.04.04.004	4

# Rear Axle Tube Assembly



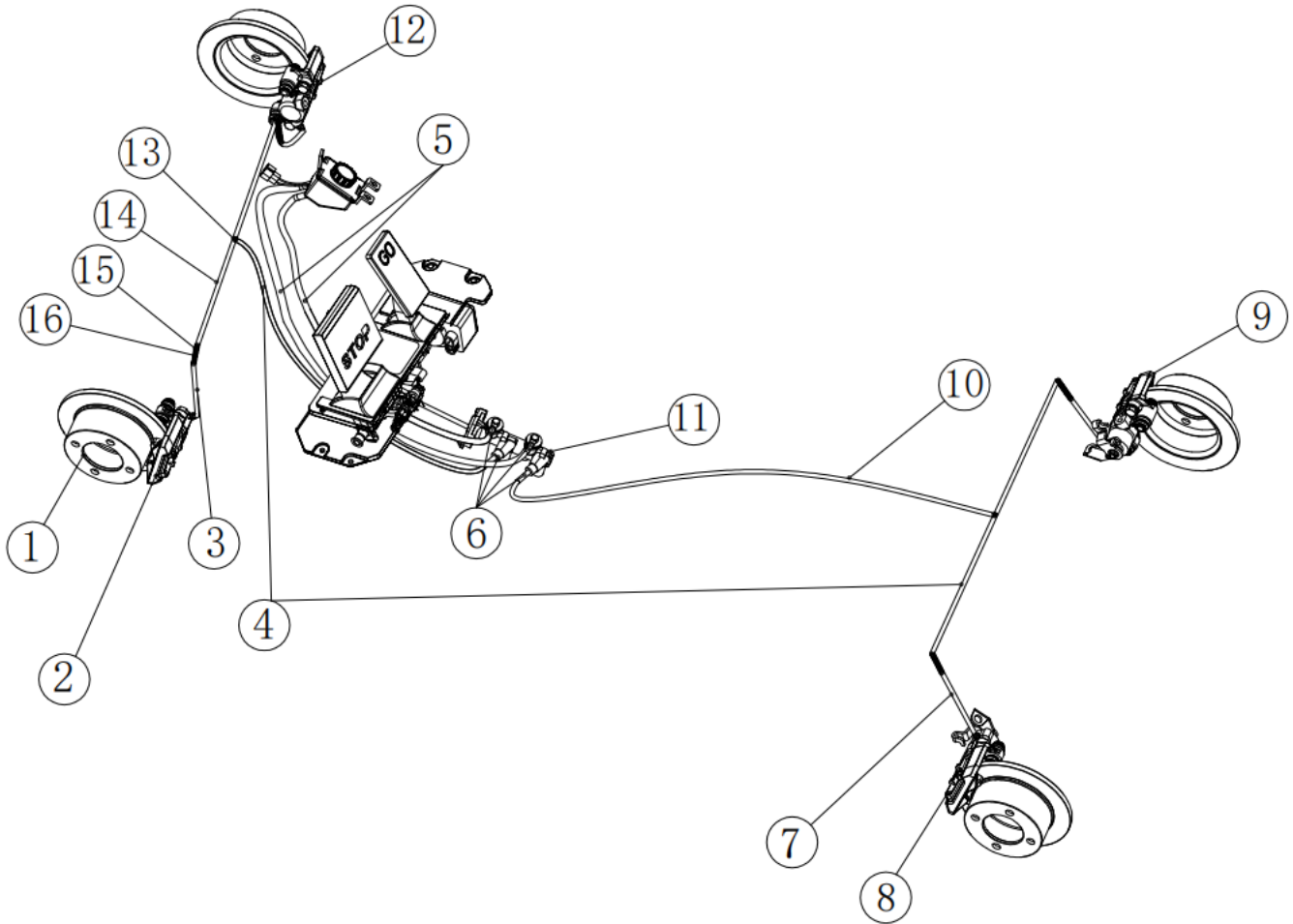
# Rear Axle Tube Assembly

No.	Description	Part Number	Qty
1	Flange screw M12x75 / 1035	4.03.02.01.043	2
2	Rocker arm bushing	4.02.04.01.005	2
3	45 dia. pipe cover	4.05.04.03.005	2
4	Self-locking nut M12x1.25 / 1035	4.03.04.01.005	4
5	Self-locking nut M12x1.25 / 1035	4.03.04.01.005	2
6	Rear suspension bushing	4.02.04.02.004	2
7	Flange screw M12x85 / 1035	4.03.02.01.058	2
8	Flange screw M10x70 / 1035	4.03.02.01.038	4
9	Bracket rear axle tube	3.02.01.01.035	2
10	Self-locking nut with locking plate M10 / 1035	4.03.04.01.004	4
11	DCDC Converter DC2250-4812 500W	4.04.01.13.014	1
12	On board charger (lithium) 48V25A	4.04.01.06.126	1
13	Charger mounting plate	3.02.01.01.175	1
14	Self-locking nut with locking plate M10x1.25 / 1035	4.03.04.01.004	2
15	Rear shock absorber assembly	2.01.01.02.021	2
16	Flange screw M12x30 / 1035	4.03.02.01.041	4
17	Rear damper gasket 30x3.5	4.02.04.01.028	4
18	Self-locking nut with locking plate M10x1.25 / 1035	4.03.04.01.004	2
19	Stabilizer bar	3.02.01.01.036	1
20	Self-locking nut with locking plate M10x1.25 / 1035	4.03.04.01.004	2
21	Rear axle tube Kit	3.02.01.01.099	2
22	Flange screw M10x50 / 1035	4.03.02.01.035	2
23	Self-locking nut with locking plate M10x1.25 / 1035	4.03.04.01.004	2

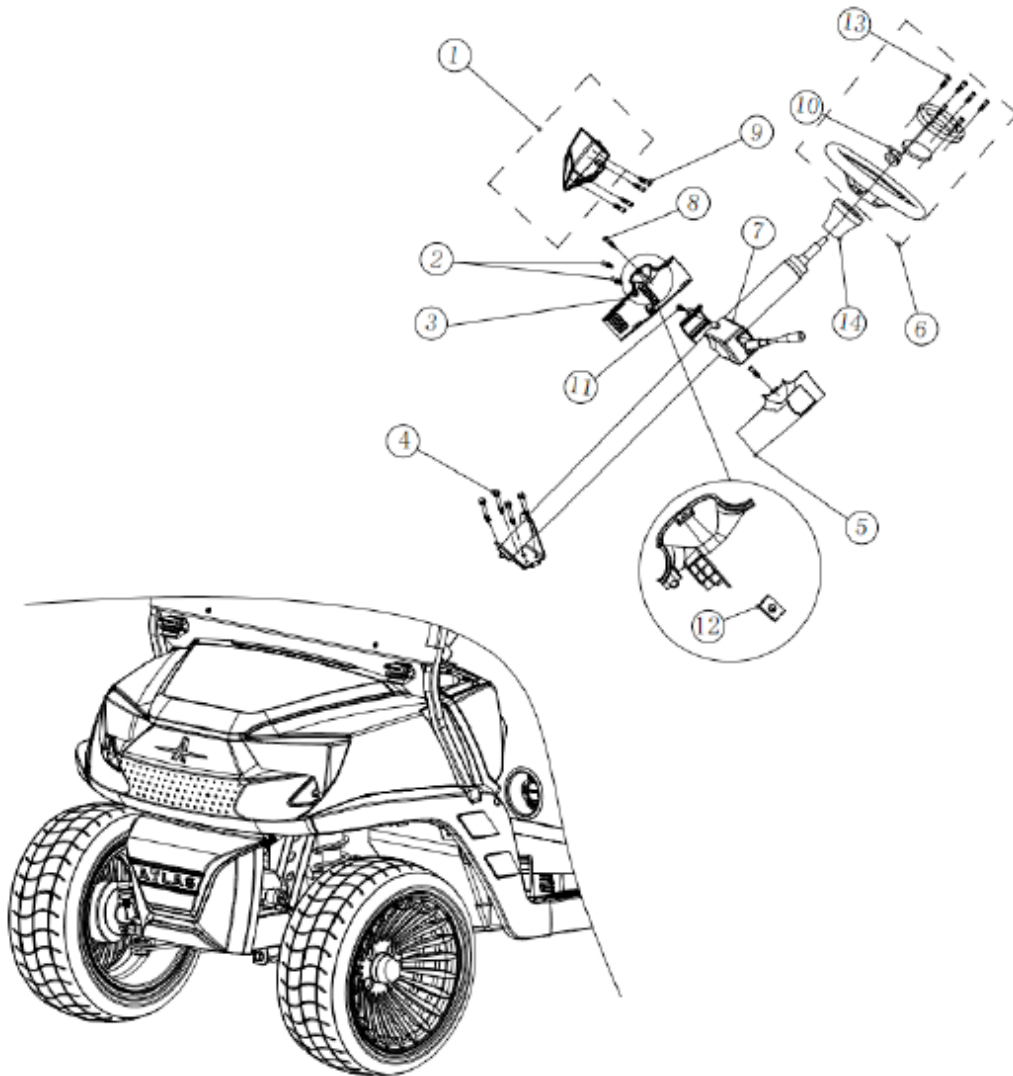


No.	Description	Part Number	Qty
1	EM brake connection board	3.11.01.01.096	1
2	Stainless steel pan head round head hexagon socket screw M6x16	4.03.03.15.033	6
3	EM brake PK35	4.04.01.03.034	1
4	Stainless steel DTN912 cup head socket head cap bolt M5x30	4.03.03.03.003	2
5	YDQ3-4-5680 Speed sensor	4.04.01.03.032	
6	AC motor 48v 5kw with EM brake / fasteners included	4.04.01.02.026	1

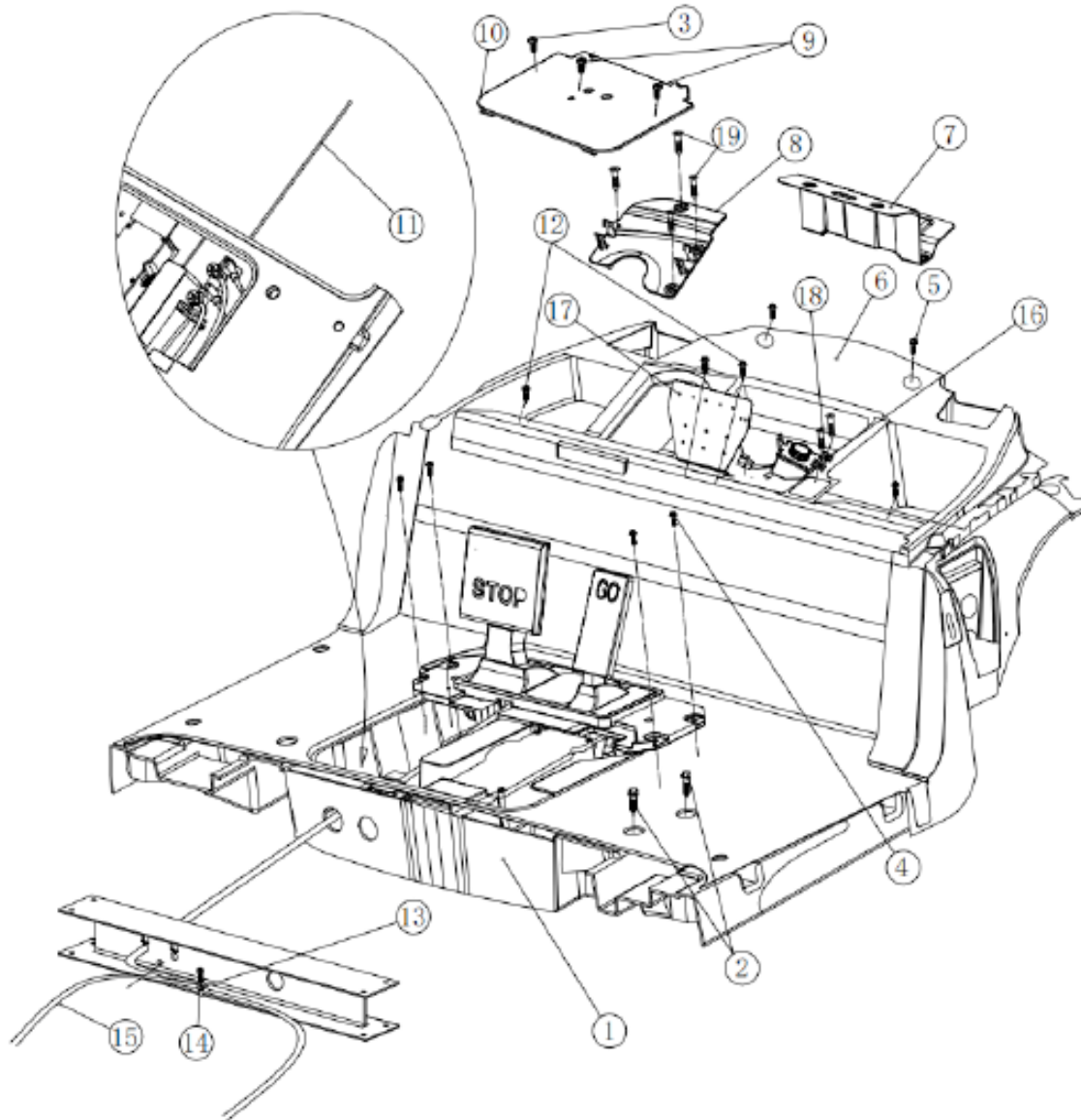
# Four Wheel Disc Brake



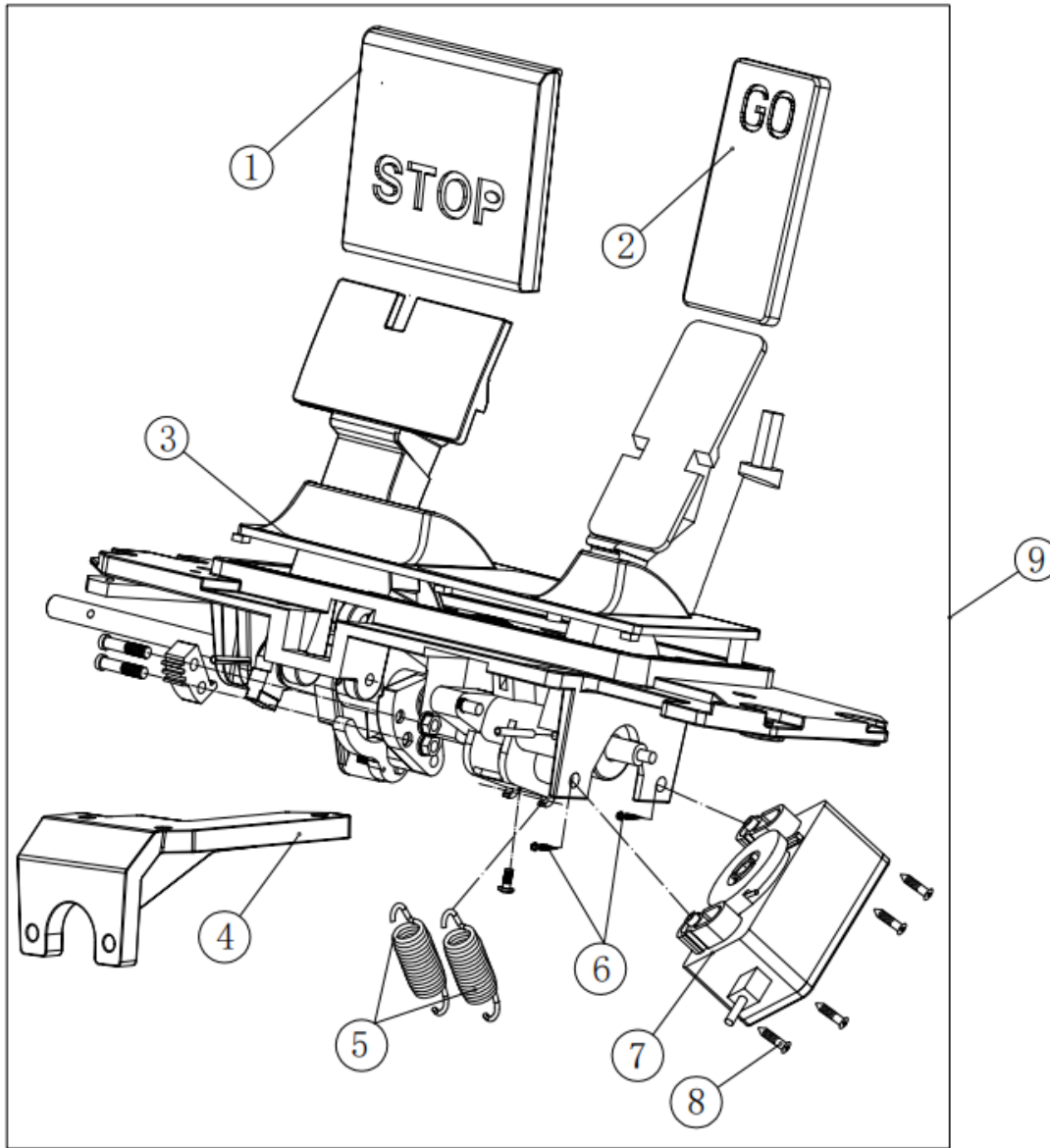
No.	Description	Part Number	Qty
1	Brake disc	4.02.05.03.004	4
2	Front caliper LH	4.02.05.01.038	1
3	Front hose L-380	4.02.02.10.05	2
4	Brake pipe L-700 Front 1pcs, Rear 2pcs	4.02.02.10.050	3
5	Oil pipe	4.02.02.12.025	1
6	10-16 Hose clamp	4.02.02.12.010	4
7	Rear hose L-300	4.02.02.10.049	2
8	Rear caliper LH	4.02.05.01.037	1
9	Rear caliper RH	4.02.05.01.036	1
10	Brake pipe L-620	4.02.02.10.060	1
11	Master cylinder	4.02.05.01.018	1
12	Front caliper RH	4.02.05.01.039	1
13	3-way valve	4.02.02.12.011	2
14	Front brake pipe 250mm	4.02.02.12.001	2
15	Hollow screw M10x25x1.0 / 1018	4.03.02.09.002	4
16	Washer C10	4.02.02.12.007	8



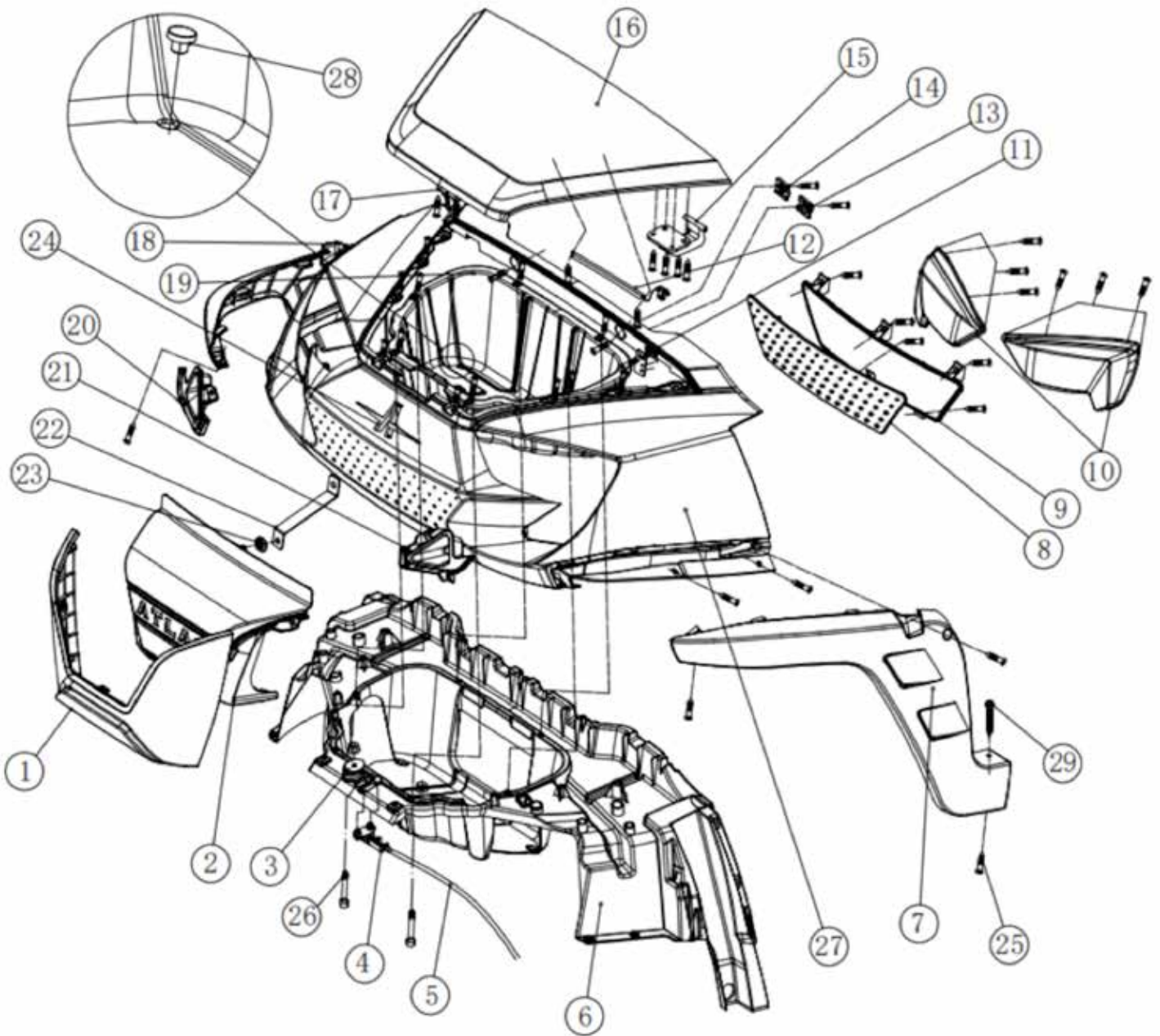
No.	Description	Part Number	Qty
1	Speed meter, fasteners included	2.06.03.03.004	1
2	Stainless steel flat head self-tapping screw M5x16/black	4.03.03.15.010	2
3	Steering column cover RH, fasteners included	4.05.01.33.021	1
4	Flange screw M8x20/1035	4.03.02.01.014	4
5	Steering column cover LH, fasteners included	4.05.01.33.020	1
6	Carbon sport steering wheel, fasteners included	4.02.01.01.074	1
7	Combination switch (turn signal, lights, horn)	4.04.14.01.007	1
8	Stainless steel flat head self-tapping screw M5x16/black	4.03.03.15.010	2
9	Stainless steel large flat head self-tapping screw M4x16 /black	4.03.03.15.013	4
10	Self-locking nut M12x1.25/1035	4.03.04.01.005	1
11	Stainless steel pan head cross machine nail M5x20	4.03.03.08.003	2
12	Stainless steel U-shape clip	4.03.06.06.004	2
13	Stainless steel pan head cross machine nail M5x20	4.03.03.08.003	6
14	Carbon sport steering wheel adaptor / black	4.02.01.01.075	1



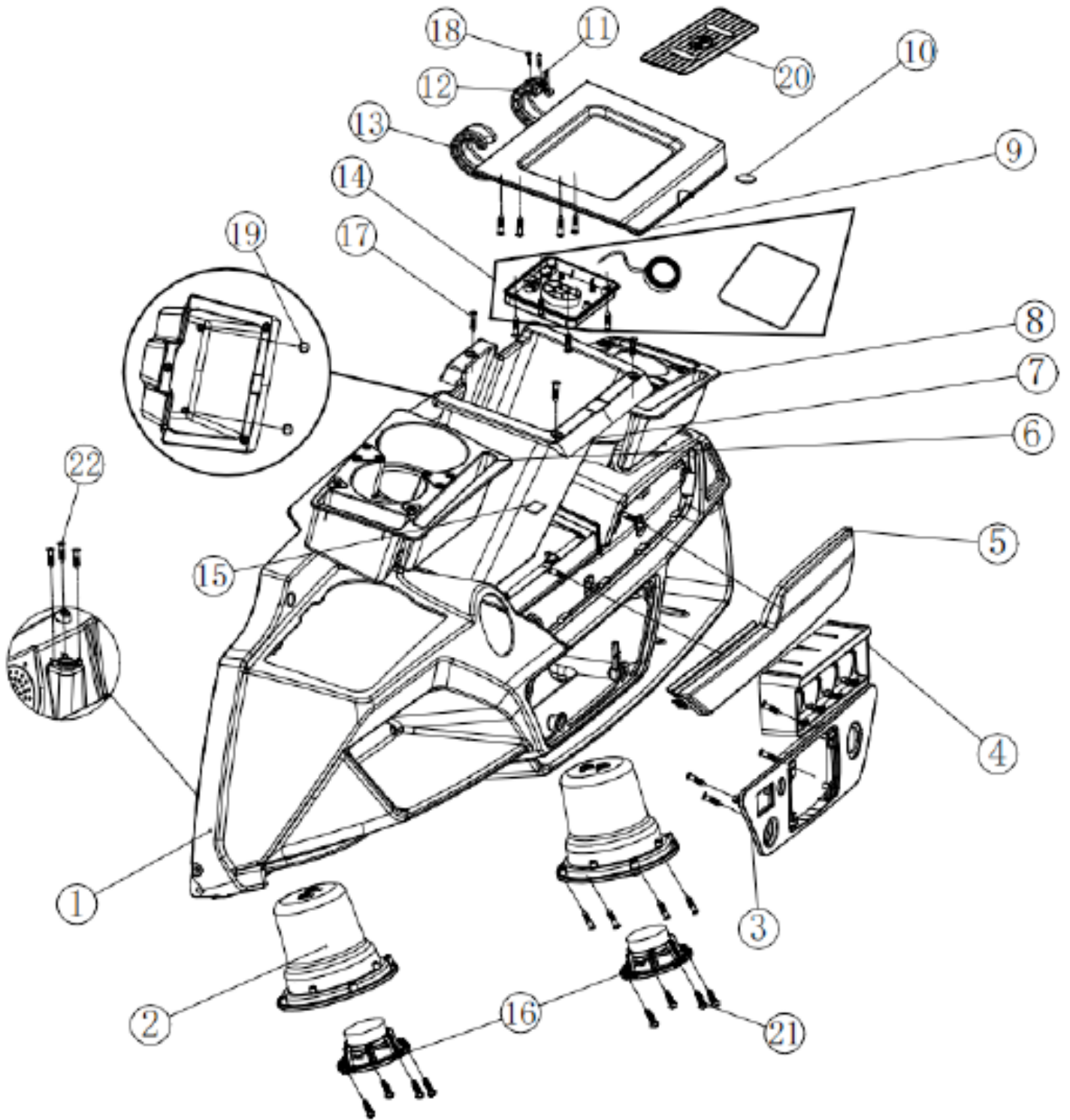
No.	Description	Part Number	Qty	No.	Description	Part Number	Qty
1	Front pedal box support	4.05.01.01.002	1	11	Brake pipe L-620	4.02.02.10.060	1
2	Hexagonal (dovetail) self-tapping screw 12x1-1/2/1018	4.03.02.06.012	2	12	Hexagonal (dovetail) self-tapping screw 12x1-1/2/1018	4.03.02.06.012	4
3	Stainless steel large flat head self-tapping screw M5x25 /black	4.03.03.15.017	1	13	3-way valve	4.02.02.12.011	1
4	Hexagon washer self-drilling screw M8-12x50/1022a	4.03.02.06.023	4	14	Flange screw M6x35/1035	4.03.02.01.007	4
5	Flange screw M6x35/1035	4.03.02.01.007	2	15	Brake pipe L-700 (Front, 1 pcs, Rear, 2pcs)	4.02.02.10.050	1
6	Foot pedal frame	4.05.01.01.043	1	16	Brake reservoir, w/ fasteners	4.02.09.193	1
7	Disc brake pedal frame cover	4.05.01.01.068	1	17	Main circuit fuse base electronic board, w/ fasteners	3.05.14.018	1
8	Steering column lower cov. plate	4.05.01.33.082	1	18	Stainless steel large flat head self-tapping screw M5x16/black	4.03.03.15.010	2
9	Stainless steel large flat head self-tapping screw M5x16 /black	4.03.03.15.010	2	19	Stainless steel large flat head self-tapping screw M5x16/black	4.03.03.15.010	4
10	Pedal cover, w/ fasteners	4.05.01.01.010	1				



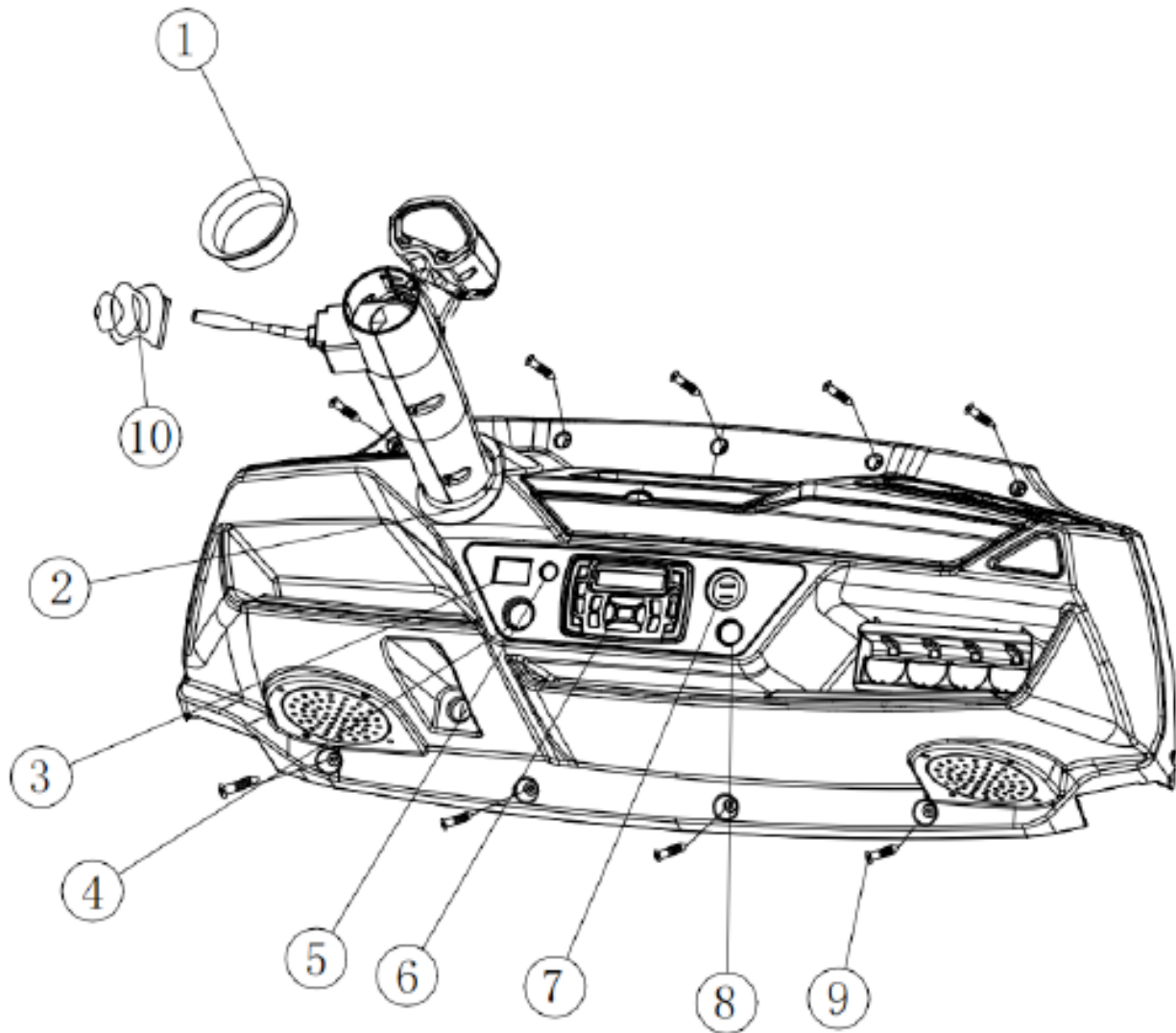
No.	Description	Part Number	Qty
1	Aluminum pedals without parking brake pedal rubber (STOP)	4.02.02.08.012	1
2	Aluminum pedal without parking accelerator pedal rubber (GO)	4.02.02.08.010	1
3	Pedal plastic base	4.02.02.08.007	1
4	Disc brake master cylinder bracket / aluminum	3.02.01.08.032	1
5	Accelerator pedal spring	4.02.02.04.013	2
6	Hexagonal (pointed tail) self-tapping screw 12# x 3/4-2 / 1018	4.03.02.06.027	2
7	Accelerator box, fasteners included	2.01.02.02.003	1
8	Stainless steel pan head cross machine nail M4x12	4.03.03.08.005	4
9	Pedal assembly, fasteners included	2.01.01.03.201	1



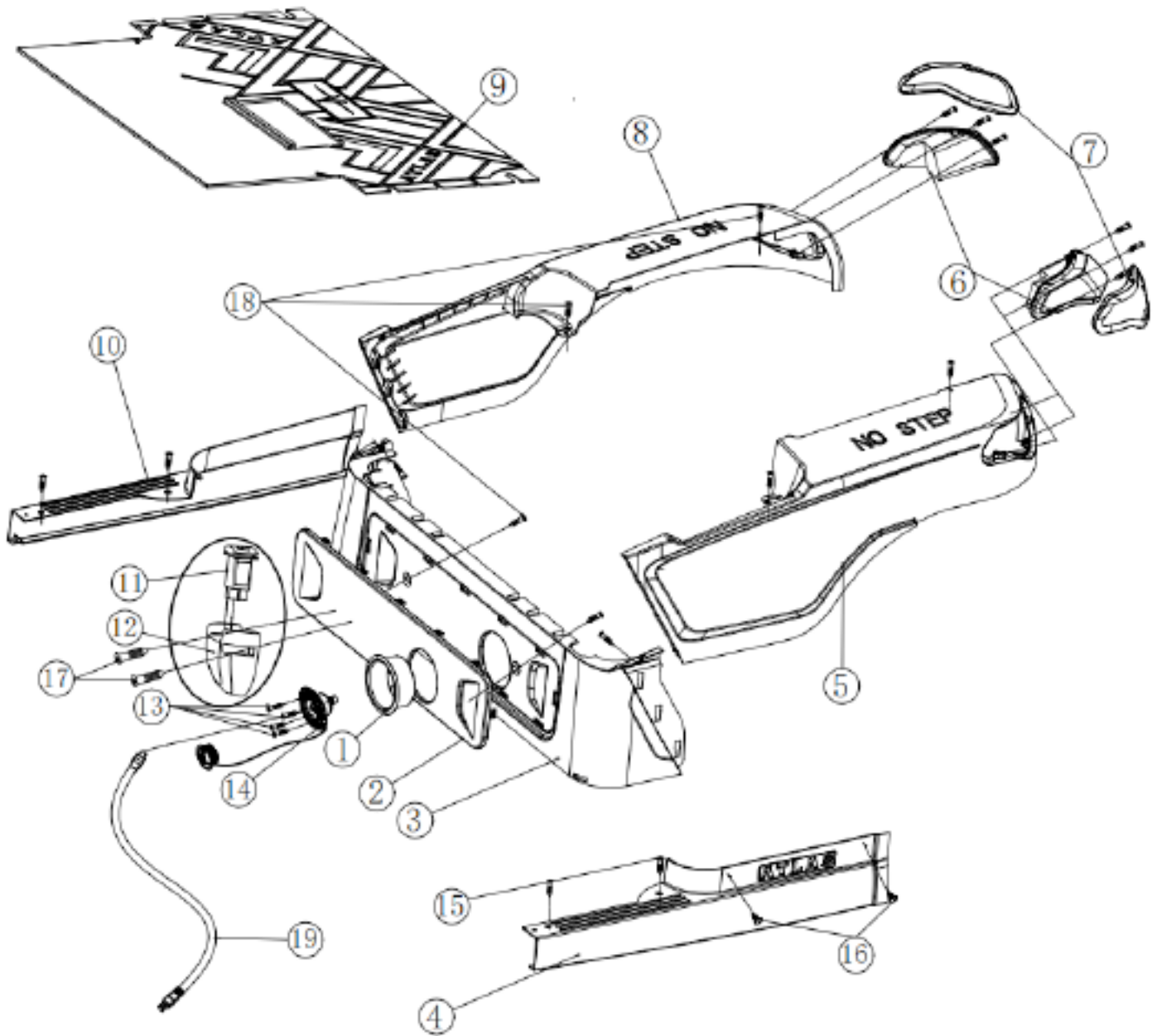
No.	Description	Part Number	Qty
1	Plastic bumper base w/ fasteners	4.05.01.01.105	1
2A	Plastic bumper (not painted) w/ fasteners	4.05.01.01.104	1
2B	Plastic bumper (painted color) w/ fasteners	3.06.06.06.005	1
3	Shock spring stainless steel, w/ fasteners	4.03.07.258	1
4	Front cowl lock plate, w/ fasteners	4.03.07.259	1
5	Front cover storage lock pull cable	4.02.02.03.013	1
6	Front cowl under body, w/ fasteners	4.05.01.01.091	1
7	Front fender flare LH, w/ fasteners	4.05.01.01.102	1
8	Grill board	4.05.01.01.094	1
9	Grill barrier board with studs, w/ fasteners	4.05.01.01.095	1
10A	Front LED light LH, w/ fasteners	4.04.06.12.111	1
10B	Front LED light RH, w/ fasteners	4.04.06.12.112	1
11	Front cowl micro switch mounting plate, w/ fasteners	3.11.01.01.101	1
12	Front storage box light bar, micro switch w/ fasteners	2.01.02.02.008	1
13	Front cowl hinge plate LH, w/ fasteners	4.05.01.01.098	2
14	Front cowl hinge plate RH, w/ fasteners	4.05.01.01.109	2
15	Front cowl hinge, w/ fasteners	4.05.01.01.097	1
16A	Front cowl hood (not painted), w/ fasteners	4.05.01.01.096	1
16B	Front cowl hood (painted color), w/ fasteners	3.06.06.06.002	1
17	Front storage box lock, w/ fasteners	3.11.01.01.100	1
18	Front fender flare RH, w/ fasteners	4.05.01.01.103	1
19	Front storage box, w/ fasteners	4.05.01.01.088	1
20	Front cowl trim RH, w/ fasteners	4.05.01.01.100	1
21	Front cowl trim LH w/ fasteners	4.05.01.01.099	1
22	Mounting bracket / front plastic bumper, w/ fasteners	3.05.14.013	1
23	Protective bushing (inner dia. 8mm, outer dia. 10mm)	4.05.04.09.048	1
24	Logo Front logo	4.05.03.01.009	1
25	Stainless steel flat head self-tapping screw 5x16 /black	4.03.03.15.010	62
26	Flange screw M6x35 /1035	4.03.02.01.017	2
27A	Front cowl without hood (not painted), w/ fasteners	4.05.01.01.093	1
27B	Front cowl without hood (painted color), w/ fasteners	3.06.06.06.001	1
28	Rubber plug	4.05.04.03.086	2
29	Weihua head hexagon socket self-drilling screw 6.3x60/1022a	4.03.03.12.030	2



No.	Description	Part Number	Qty
1	Dashboard, w/ fasteners	4.05.01.01.081	1
2	Speaker cover, w/ fasteners	4.05.01.01.086	2
3	Center control panel, w/ fasteners	4.05.01.01.082	1
4	Golf ball holder	4.05.01.01.101	1
5A	Dash trim (not painted), w/ fasteners	4.05.01.01.083	1
5B	Dash trim (painted color), w/ fasteners	3.06.06.06.007	1
6	Cup holder LH	4.05.01.01.084	1
7	Front storage box, w/ fasteners	4.05.01.01.088	1
8	Cup holder RH	4.05.01.01.085	1
9	Storage box lid, w/ fasteners	4.05.01.01.087	1
10	Round magnet on storage box cover 15x3	4.04.06.14.006	1
11	Stop positioning damper (0.3NM), w/ fasteners	4.03.07.257	1
12	Storage box hinge LH, w/ fasteners	4.05.01.01.089	1
13	Storage box hinge RH, w/ fasteners	4.05.01.01.090	1
14	Wireless charging box assembly, w/ fasteners	2.01.02.04.022	1
15	Storage box square magnet 20x10x4	4.04.06.14.004	1
16	4.5" Speaker	4.04.11.02.047	2
17	Stainless steel flat head self-tapping screw 5x16 /black	4.03.03.15.010	30
18	Stainless steel countersunk head cross self-tapping screw M3x10	4.03.03.01.0120	2
19	Rubber plug	4.05.04.03.086	2
20	Wireless charger non-slip pad	4.05.04.03.087	1
21	Stainless steel pan head cross self-tapping screw M4x16	4.03.03.01.019	8
22	Cross large flat head and flat tail self-tapping screw M5x10 / 1018	4.03.03.06.008	3



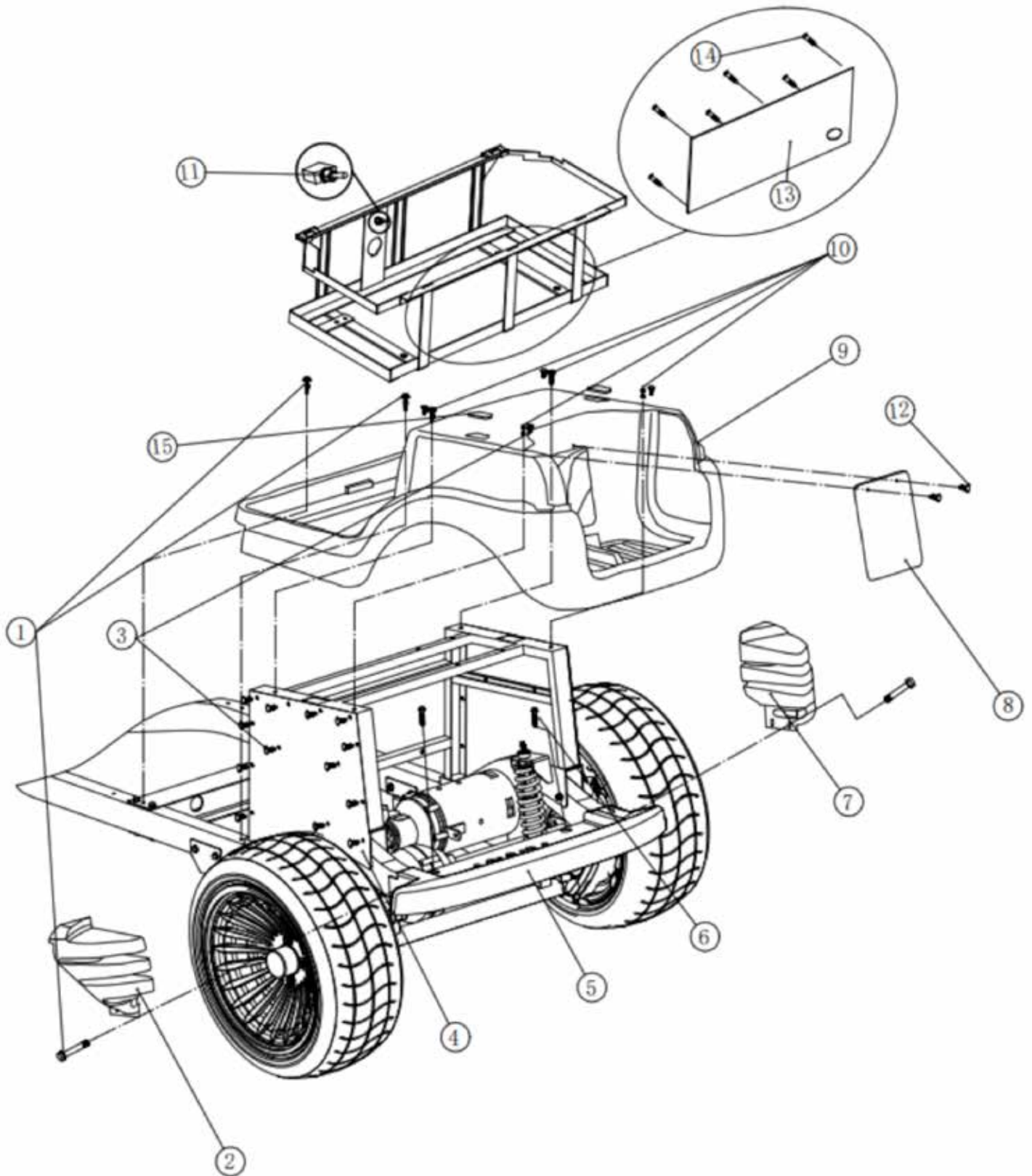
No.	Description	Part Number	Qty
1	Steering column rubber cover / up	4.05.01.33.048	1
2	Steering column round cover / bottom	4.05.02.01.152	1
3	State of charge indicator (lithium)	4.04.01.10.010	1
4	Ignition Key switch assembly. (includes 3 keys, ignition lock, front storage lock)	4.04.02.02.014	1
5	Hazard light switch	4.04.02.11.002	1
6	FM radio Bluetooth	4.04.14.02.025	1
7	USB port 4.2A	4.04.07.103	1
8	Charging indicator	4.04.01.07.045	1
9	Stainless steel flat head self-tapping screw 5x25 /black	4.03.03.15.017	9
10	Combination switch dust cover	4.05.01.03.011	1



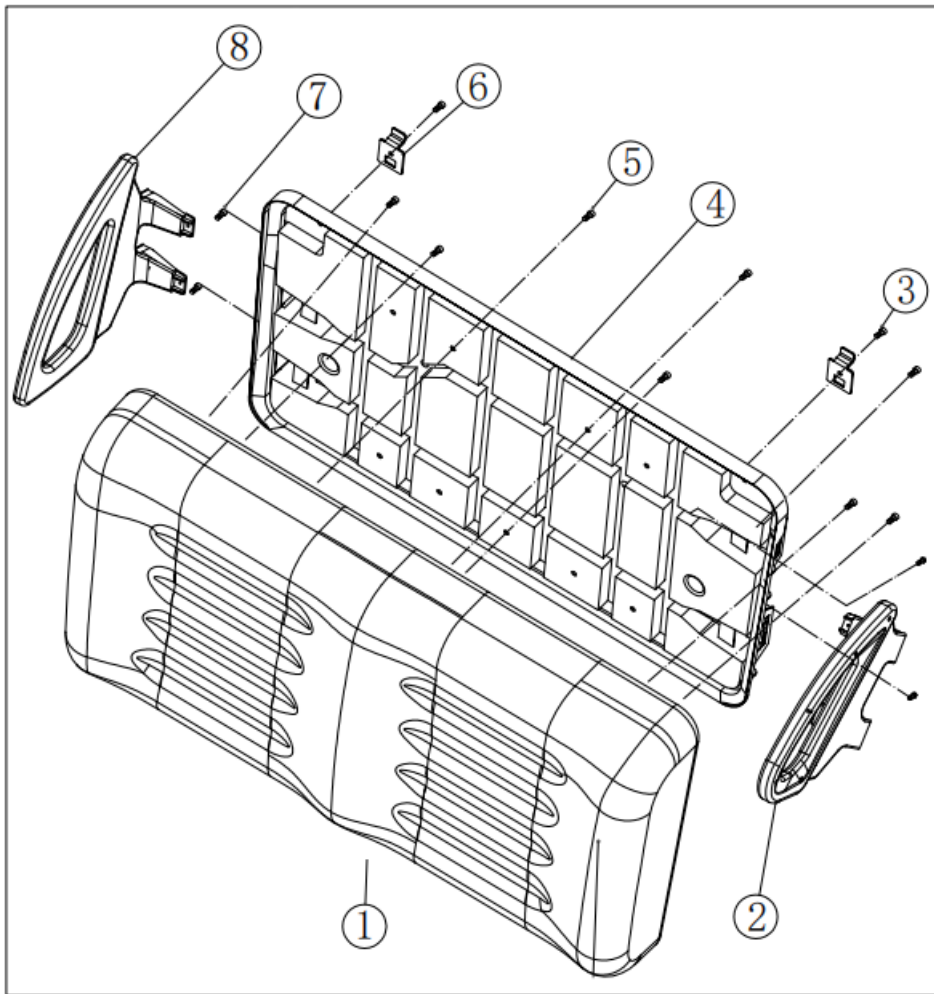
# Rear Body Installation

<b>No.</b>	<b>Description</b>	<b>Part Number</b>	<b>Qty</b>
1	Charging plug mount base, w/ fasteners	4.05.01.03.018	1
2A	Charging receptacle front panel (not painted), fasteners included	4.05.01.01.078	1
2B	Charging receptacle front panel (painted color), fasteners included	3.06.06.06.006	1
3	Rear seat panel, w/ fasteners	4.05.01.01.077	1
4	Running board LH, w/ fasteners	4.05.01.01.079	1
5A	Rear body LH (not painted), w/ fasteners	4.05.01.01.073	1
5B	Rear body LH (painted color), w/ fasteners	3.06.06.06.003	1
6A	Rear taillight LH, w/ fasteners	4.04.06.12.115	1
6B	Rear taillight RH, w/ fasteners	4.04.06.12.116	1
7A	Rear taillight bezel LH / (not painted)	4.05.01.01.075	1
7B	Rear taillight bezel RH / (not painted)	4.05.01.01.076	1
7C	Rear taillight bezel LH / (painted color)	3.06.06.06.008	1
7D	Rear taillight bezel RH / (painted color)	3.06.06.06.009	1
8A	Rear body RH (not painted), w/ fasteners	4.05.01.01.074	1
8B	Rear body RH (painted color), w/ fasteners	3.06.06.06.004	1
9	Floor mat	4.05.01.19.006	1
10	Running board RH, w/ fasteners	4.05.01.01.080	1
11	Forward/Reverse switch, w/ fasteners	4.04.02.01.021	1
12	Forward/Reverse switch base, w/ fasteners	4.05.01.03.005	1
13	Stainless steel pan head cross machine screw M4x25	4.03.03.01.006	4
14	Charge receptacle, cover included	4.04.07.130	1
15	Weihua head hexagon socket self-drilling screw 6.3x60 /1022a	4.03.03.12.030	4
16	Plastic rivet C104	4.05.04.05.003	12
17	Stainless steel pan cross self-tapping screw M6x30	4.03.03.01.0110	2
18	Stainless steel flat head self-tapping screw 5x16 /black	4.03.03.15.010	14
19	US type charger power cord	4.04.03.10.025	1

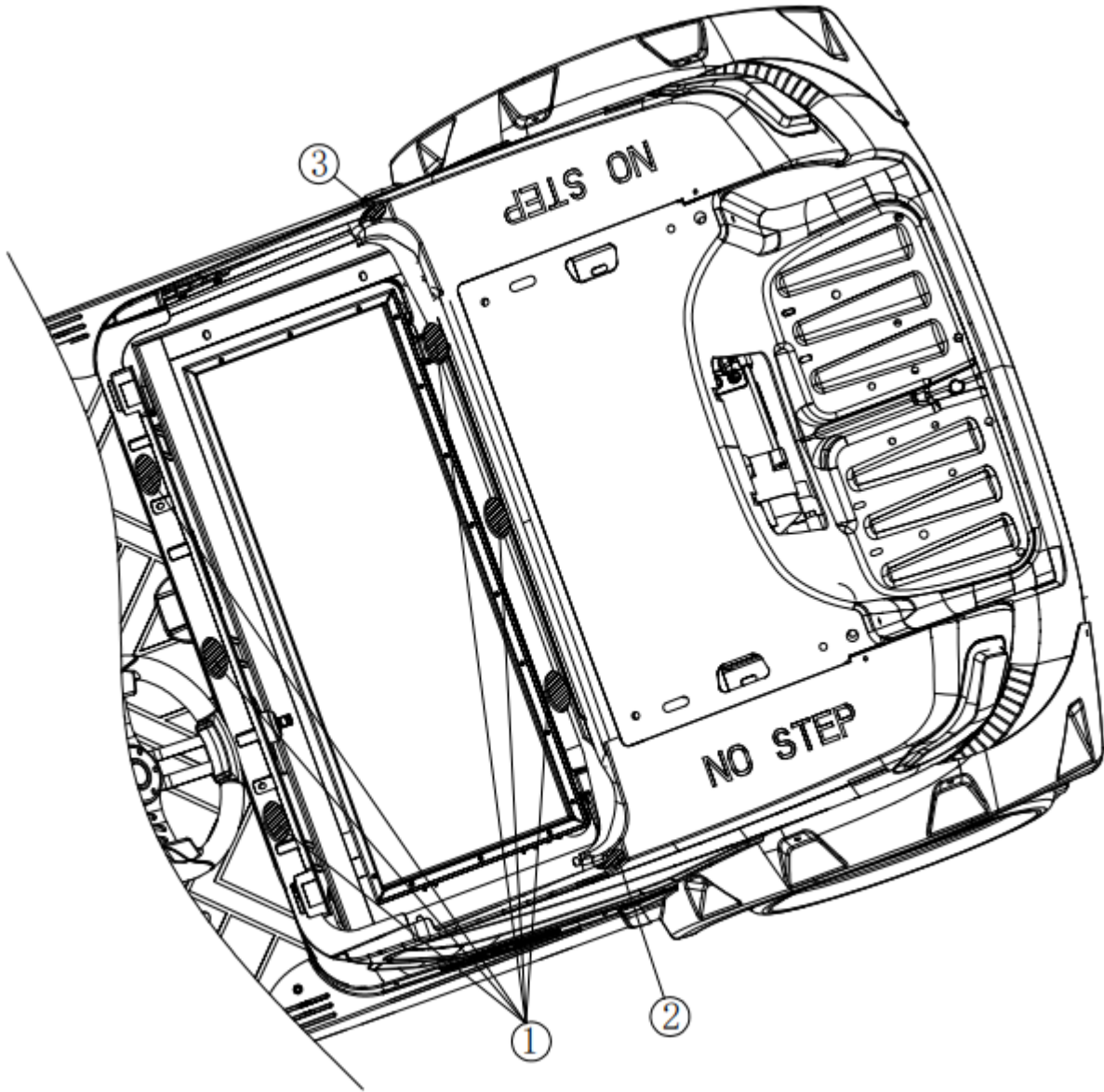
# Rear Body Base Installation



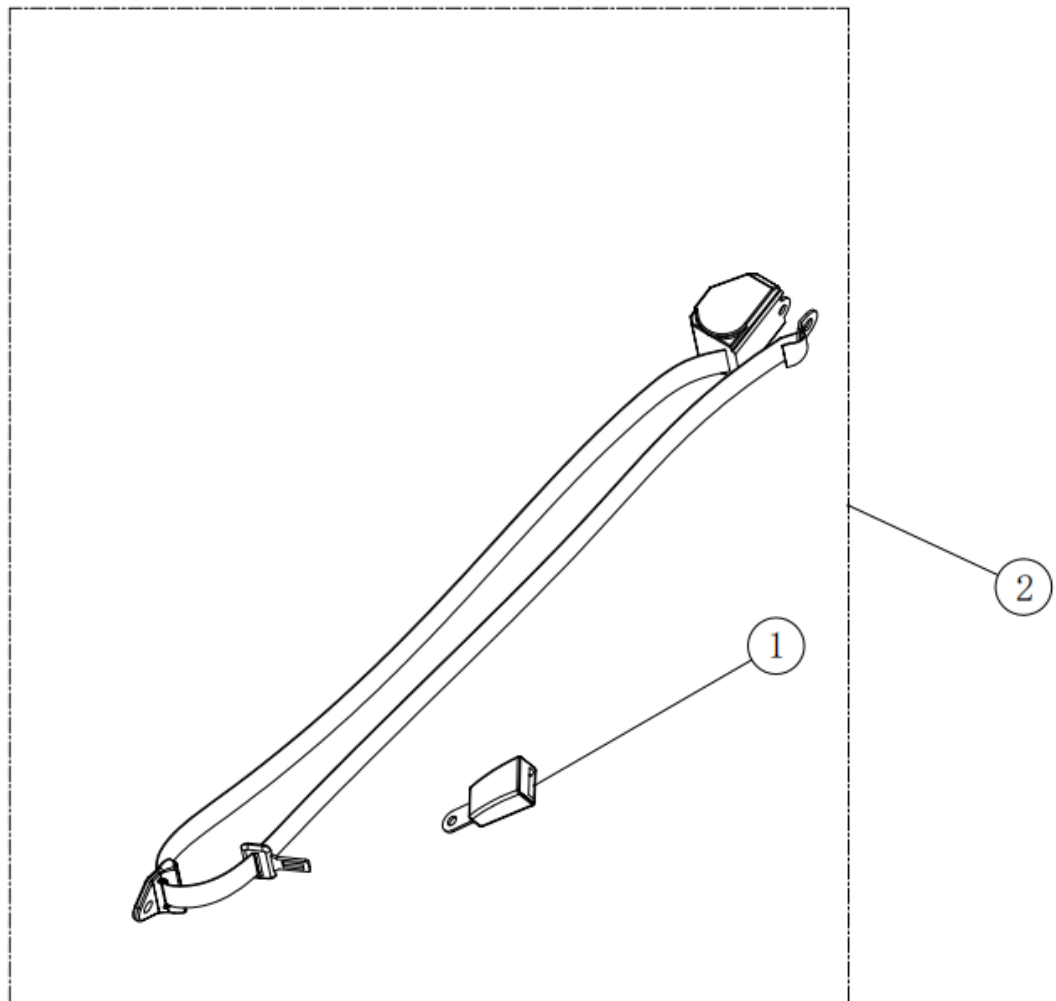
No.	Description	Part Number	Qty
1	Self-tapping bolt 12x1-1/2 / 1018	4.03.02.06.012	4
2	Side liner in rear body base LH, fasteners included	4.05.01.01.016	1
3	Plastic Rivet C104	4.05.04.05.003	26
4	Mud guard LH and RH	3.06.01.09.002	2
5	Rear liner	4.05.01.01.012	1
6	Self-tapping bolt 12x1½ / 1018	4.03.02.06.012	2
7	Side liner in rear body base RH, fasteners included	4.05.01.01.017	1
8	Access panel in rear cover base, fasteners included	4.05.01.01.015	1
9	Rear base under body	4.05.01.01.013	1
10	Stainless steel hexagon bolt M8x35	4.03.03.04.033	4
11	On/Off switch, fasteners included	4.04.02.01.009	1
12	Plastic rivet C633	4.05.04.05.006	2
13	Battery rear cover board	4.05.01.01.119	1
14	Stainless steel pan head self-tapping screw M5x16 / black	4.03.03.08.002	6
15	Rear body base plug hole cap	4.05.01.01.045	2



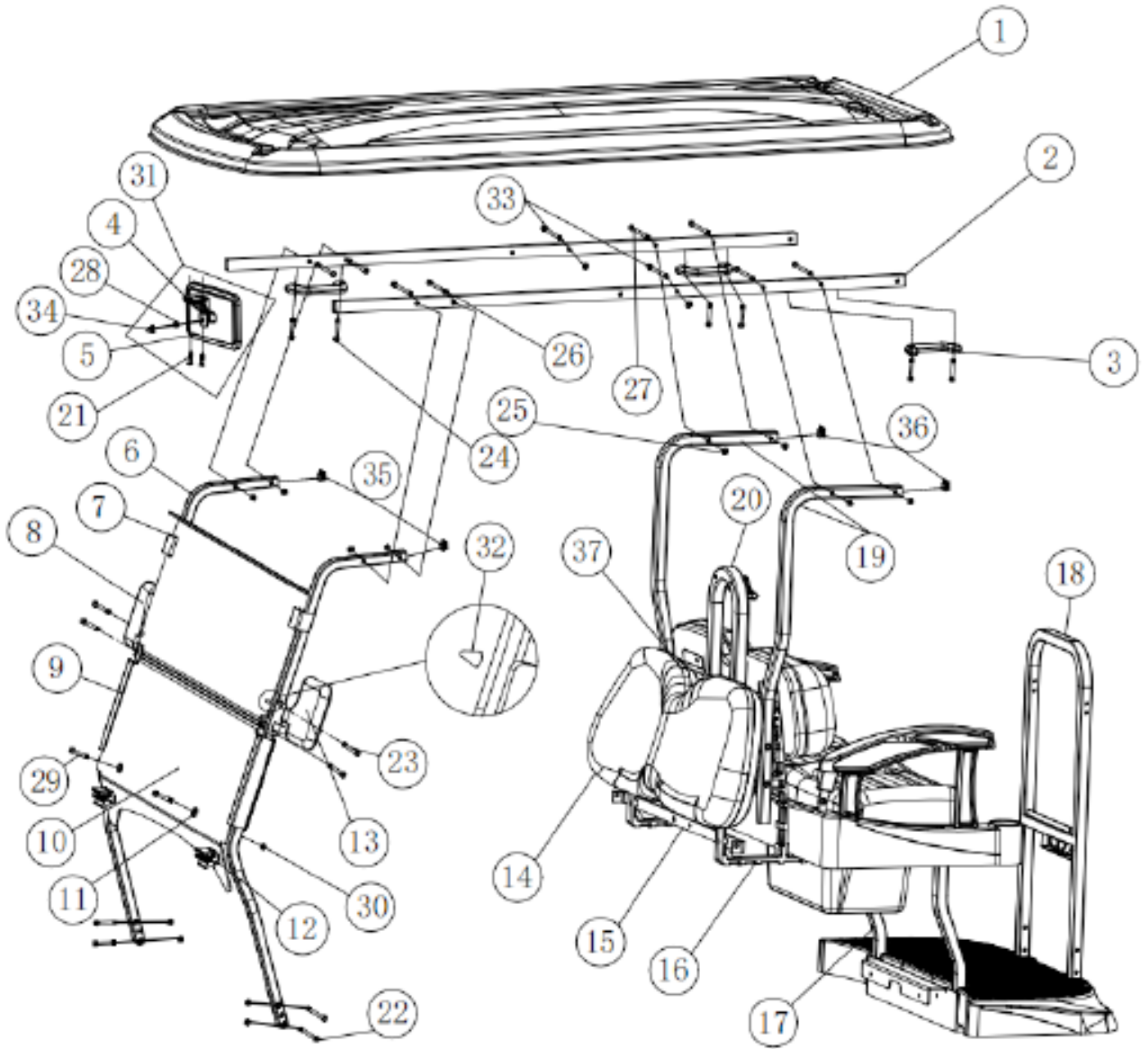
No.	Description	Part Number	Qty
1	Seat bottom with double diamond pattern (Black)	4.05.01.07.01.005	1
2	Hip restraint RH, w/ fasteners	4.05.01.33.002	1
3	Pan head cross self-tapping screw M6x30 / 1018	4.03.03.08.002	2
4	Seat bottom tray	4.05.01.01.038	1
5	Flange screw M6x20 / 1035	4.03.02.01.004	10
6	Seat hinge / up	3.01.01.010	2
7	Stainless steel large flat head self-tapping screw M5x25 / black	4.03.03.15.017	12
8	Hip restraint LH, w/ fasteners	4.05.01.33.001	1
9	Front seat bottom and armrest assembly w/ fasteners	2.01.01.01.009	1



No.	Description	Part Number	Qty
1	Oval EVA spacer under seat, 3mm	4.05.04.02.015	6
2	Oval EVA spacer under seat, 3mm LH	4.05.04.02.016	1
3	Oval EVA spacer under seat, 3mm RH	4.05.04.02.017	1



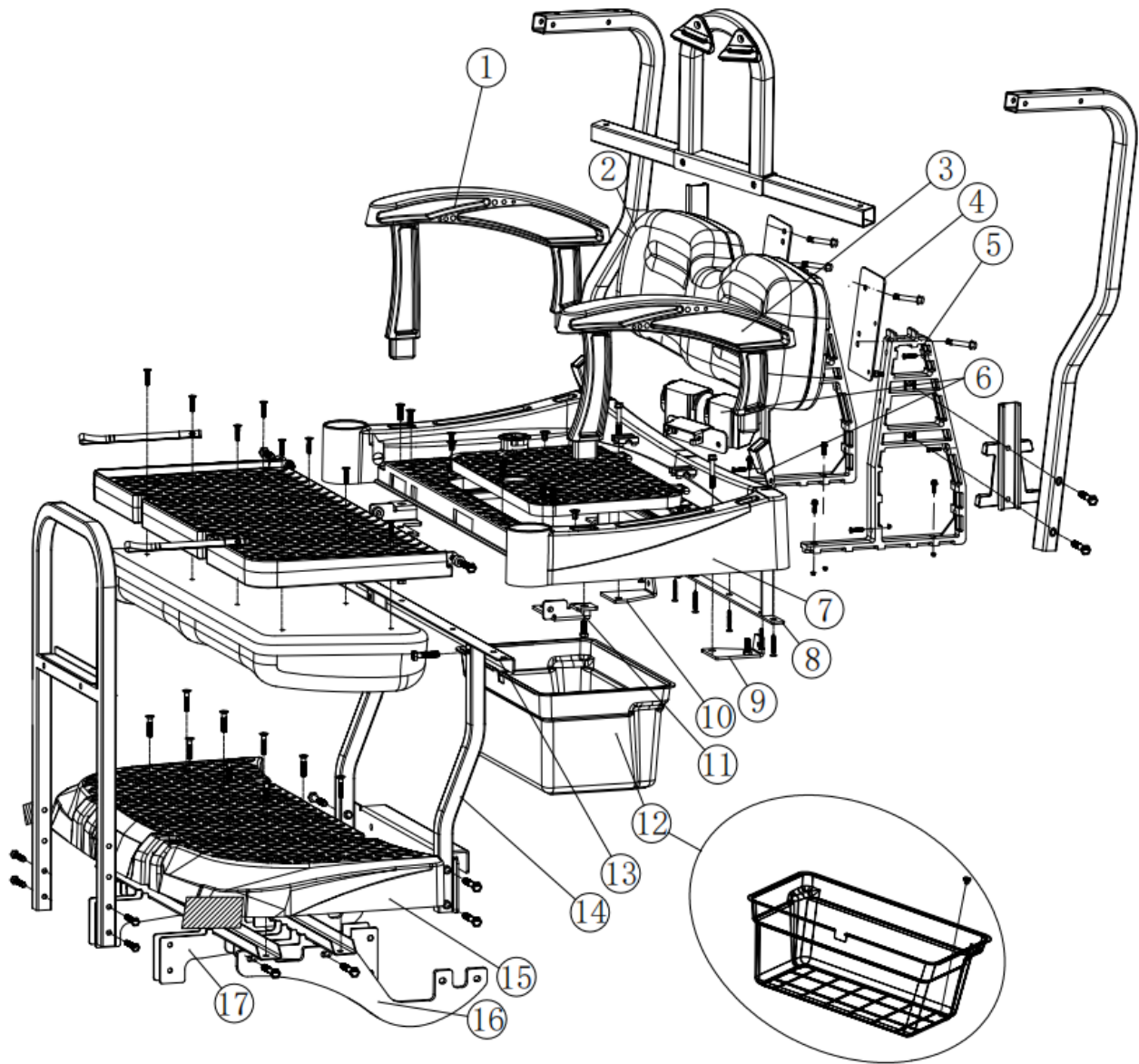
No.	Description	Part Number	Qty
1	Lock for 3-point seat belt	4.05.01.16.006	1
2	3-point seat belt (DOT)	4.05.01.16.004	1



## Split Windshield, Top Assembly and Rear Seat Assembly

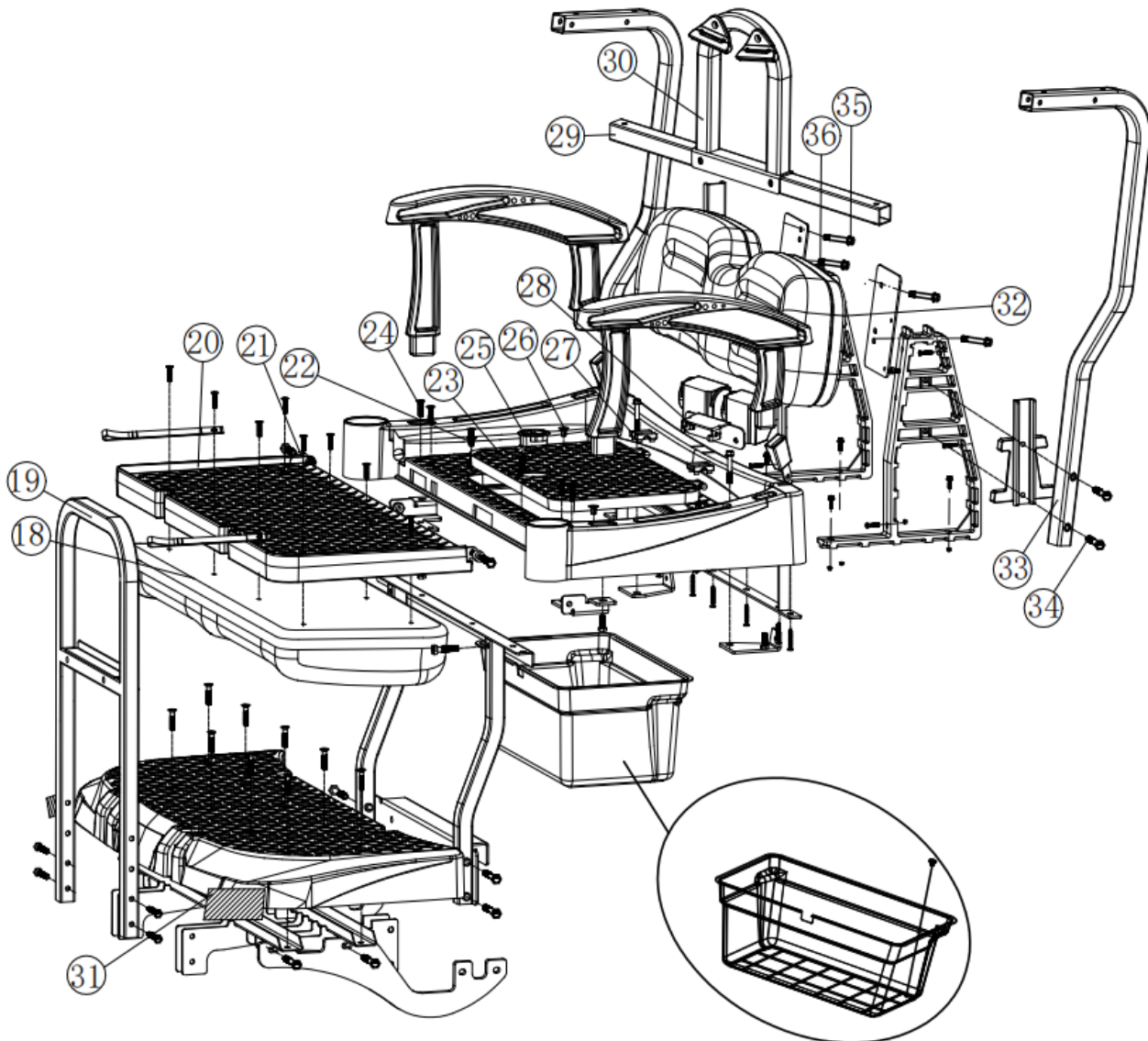
No.	Description	Part Number	Qty
1	4P Canopy (Black), w/ fasteners	4.05.01.37.014	1
1B	4P Canopy (painted color), w/ fasteners	3.06.01.03.02.001	1
2	Canopy top support /aluminum, w/ fasteners	3.02.01.02.078	2
3	4P Roof folding grab handle, w/ fasteners	4.05.01.09.011	3
4	Center mirror bracket, w/ fasteners	3.02.01.02.081	1
5	4P Center mirror, w/ fasteners	4.05.01.13.006	1
6	Folding windshield roof support/aluminum (set of 2), w/ fasteners	3.02.01.05.059	1
7	Folding windshield retainer rubber pad/upper	4.05.02.02.016	2
8	Side mirror with bracket RH, w/ fasteners	4.05.01.13.003	1
9	Folding windshield retainer	4.05.02.02.002	2
10	4P Folding windshield assembly, w/ fasteners	4.05.02.01.150	1
11	Folding Windshield Gasket	4.05.02.02.003	2
12	Folding windshield Retainer rubber pad/down	4.05.02.02.017	2
13	Side mirror with bracket LH, w/ fasteners	4.05.01.13.002	1
14	Seatback assembly, w/ fasteners	4.05.01.07.01.006	1
15	Seat belt mounting bracket, w/ fasteners	3.02.01.33.0104	1
16	Rear support A-arm base/aluminum, w/ fasteners	3.02.01.33.138	2
17	Flip plastic seat support assembly, w/ fasteners	3.02.01.05.071	1
18	Rear flip seat safety bar (aluminum), w/ fasteners	3.02.01.05.088	1
19A	Roof rear support LH (aluminum), w/ fasteners	3.02.01.05.083	1
19B	Roof rear support RH (aluminum), w/ fasteners	3.02.01.05.084	1
20	Rear flip seat safety belt U-tube, w/ fasteners	3.02.01.01.023	1
21	Flat head self-tapping screw 5x25 / black	4.03.03.15.017	2
22	Flange screw M8x80 / 1035	4.03.02.01.025	4
23	Stainless steel hexagon bolt M6x45	4.03.03.04.022	4
24	Stainless steel hexagon bolt M6x20	4.03.03.04.019	6
25	Stainless steel Cap nut M8	4.03.04.04.007	10
26	Stainless steel hexagon bolt M8x75	4.03.03.04.035	4
27	Stainless steel hexagon bolt M8x80	4.03.03.04.032	4
28	Stainless steel nut M8	4.03.04.04.004	1
29	Stainless steel hexagon bolt M6x50	4.03.03.04.039	2
30	Stainless steel Cap nut M6	4.03.04.04.009	6
31	4P center mirror kit / bracket and fasteners	2.01.01.01.013	1
32	Rubber plug on windshield	4.05.02.02.025	2
33	Stainless steel hexagon bolt M8x50	4.03.03.04.028	2
34	M8 nut cap	4.05.04.04.009	1
35	Square pipe plug 25x25	4.05.04.03.001	2
36	Square pipe plug 30x30	4.05.04.03.055	2
37	Front backrest plastic bottom board	4.05.01.07.01.008	1

# Plastic Folding Rear Seat



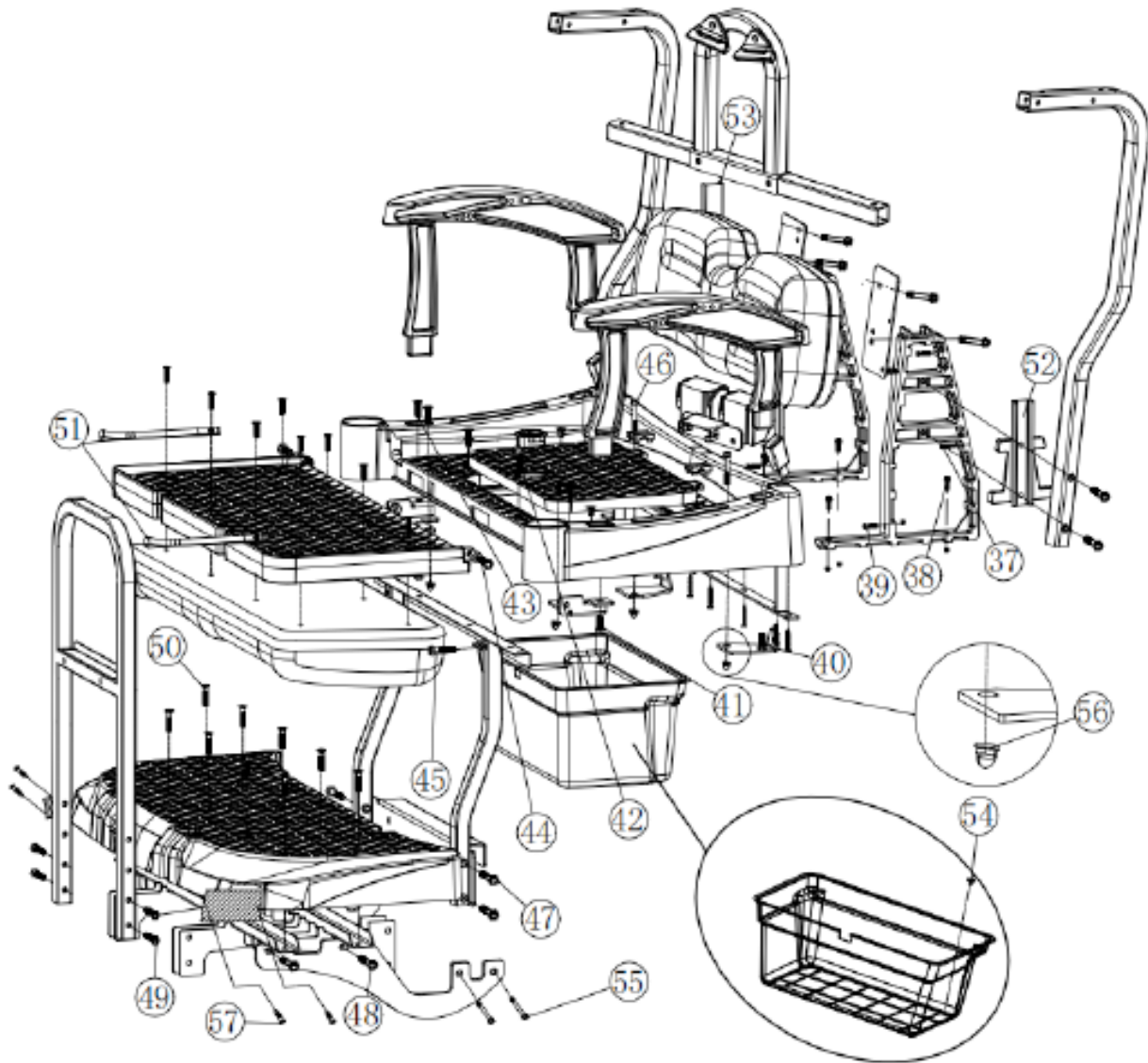
No.	Description	Part Number	Qty	No.	Description	Part Number	Qty
1	Flip seat plastic armrest LH	4.05.01.42.010	1	11	Flip seat frame hinge hardware fixing plate RH	3.02.01.05.070	1
2	Flip seat backrest	4.05.01.07.03.008	1	12	Flip seat storage box	4.05.01.42.004	1
3	Flip seat plastic armrest RH	4.05.01.42.009	1	13	Flip seat plastic fixed support adaptor plate	3.02.01.05.068	1
4	Flip seat backrest mtg. plate	3.02.01.05.063	2	14	Flip plastic seat support assembly	3.02.01.05.071	1
5	Rear support base/aluminum	3.02.01.33.138	2	15	Flip plastic pedal	4.05.01.42.001	1
6	3-point seat belt	4.05.01.16.004	2	16	Flip seat lock plate	3.02.01.05.082	2
7	Flip seat plastic mount	4.05.01.42.011	1	17	Flip type plastic pedal bracket assembly	3.02.01.05.072	1
8	Flip seat belt mount plate	3.02.01.05.067	1				
9	Flip seat plastic fixing seat connecting plate RH	3.02.01.05.065	1				
10	Flip seat plastic fixing seat connecting plate LH	3.02.01.05.066	1				

# Plastic Folding Rear Seat



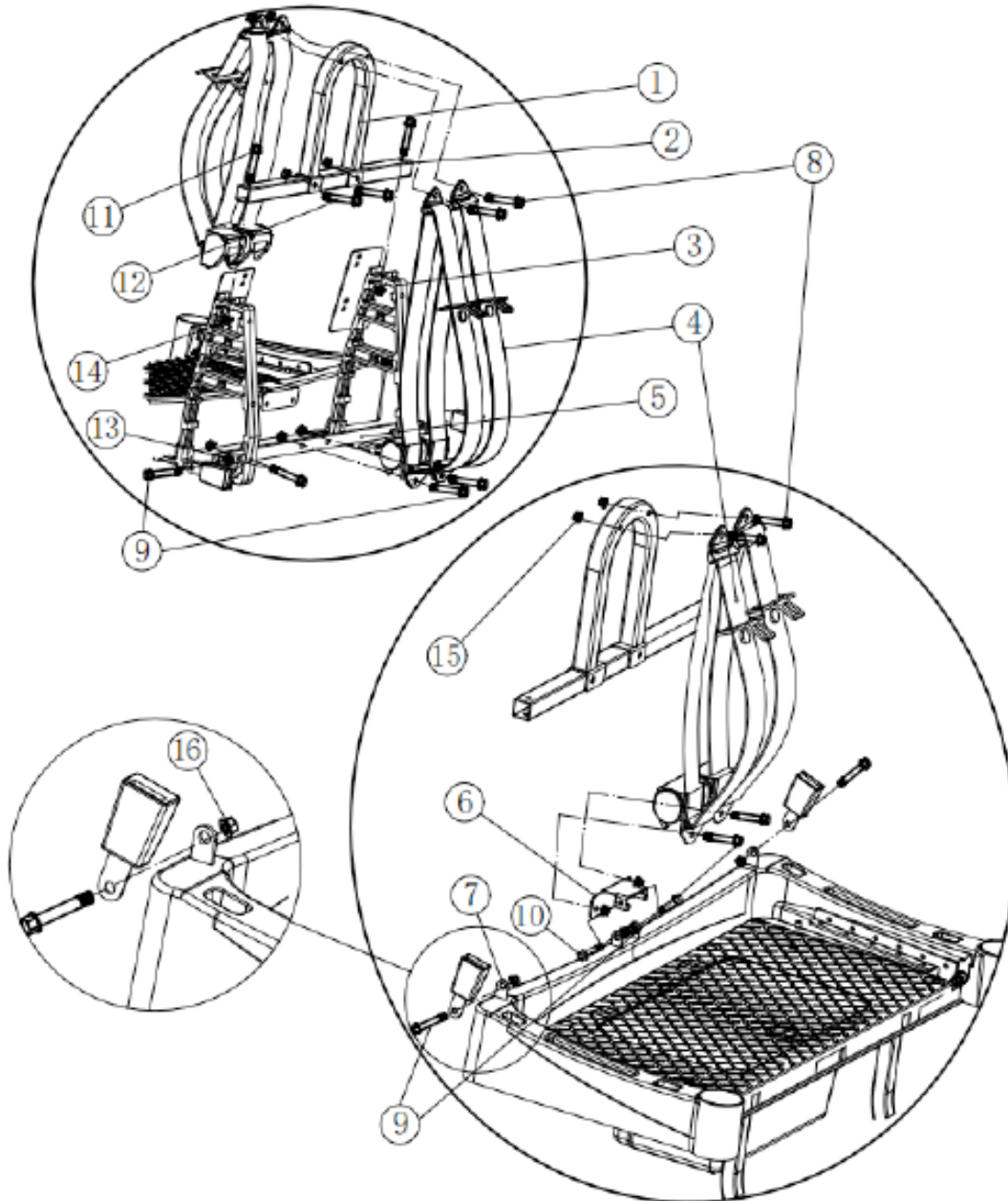
No.	Description	Part Number	Qty	No.	Description	Part Number	Qty
18	Flip seat cushion	4.05.01.07.03.007	1	27	Flip seat storage cover block	4.05.01.42.003	4
19	Flip seat safety bar	3.02.01.05.088	1	28	Flip seat belt adapter plate	3.02.01.05.087	1
20	Flip seat flip plate	4.05.01.42.005	1	29	Flip seat belt fixing tube	3.02.01.05.086	1
21	Flip seat pivot bushing / stainless steel	3.11.01.01.030	2	30	Rear flip seat safety belt U-tube	3.02.01.01.023	1
22	Stainless steel cntersunk head hex socket head screw M8x30	4.03.03.03.034	2	31A	Reflective sticker, rear pedal LH	4.05.03.01.046	1
23	Flip seat storage cover	4.05.01.42.002	1	31B	Reflective sticker, rear pedal RH	4.05.03.01.047	1
24	Stainless steel cntersunk head hex socket head screw M8x40	4.03.03.03.035	4	32	Flip seat backrest base board	4.05.01.07.03.002	1
25	Rear box plastic handle lock without lock cylinder	4.01.43.074	1	33A	Roof rear support LH	3.02.01.05.083	1
26	Countersunk head screw cover M8	4.05.04.09.033	4	33B	Roof rear support RH	3.02.01.05.084	1
				34	Stainless steel hex bolt M8x75	4.03.03.04.035	4
				35	Stainless steel hex bolt M6x25	4.03.03.04.020	2
				36	Stainless steel hex bolt M6x25	4.03.03.04.020	2

# Plastic Folding Rear Seat



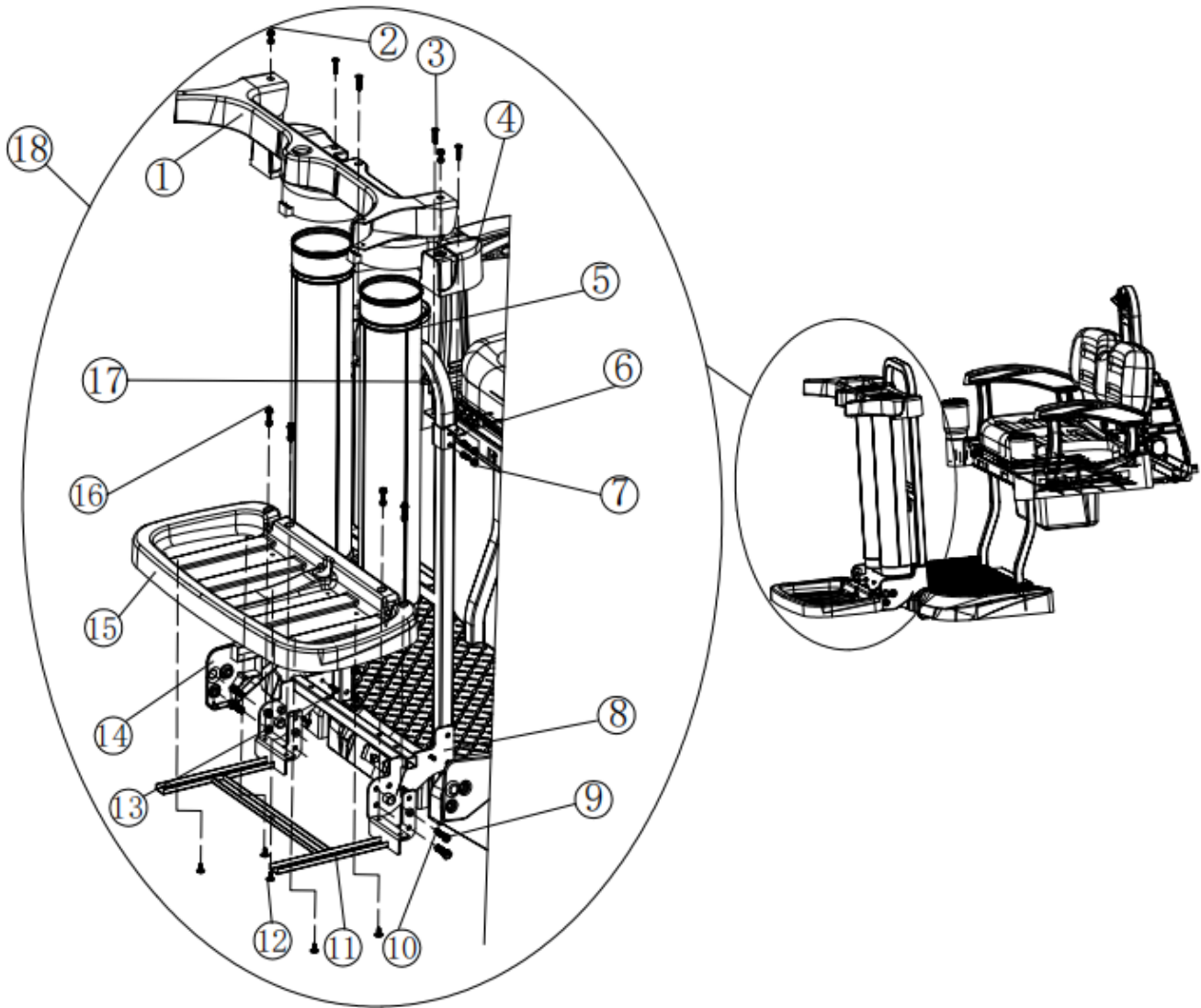
No.	Description	Part Number	Qty	No.	Description	Part Number	Qty
37	Stainless steel hex bolt M6x35	4.03.03.04.034	4	48	Flange screw M8x20 / 1035	4.03.02.01.014	4
38	Stainless steel hex bolt M8x35	4.03.03.04.033	4	49	Flange screw M8x50 / 1035	4.03.02.01.020	4
39	Stainless steel hex bolt M8x35	4.03.03.04.033	2	50	Stainless steel cntrsunk head hex bolt M8x40	4.03.03.03.035	10
40	Flange bolt M8x30 / 1035	4.03.02.01.016	2	51	Lifting strap	4.01.68.008	2
41	Flange bolt M8x30 / 1035	4.03.02.01.016	2	52	Roof rear support lower pad LH	4.05.01.42.031	1
42	Stainless steel cntrsunk head hex socket bolt M8x30	4.03.03.03.034	2	53	Roof rear support lower pad RH	4.05.01.42.032	1
43	Stainless steel cntrsunk head hex socket bolt M8x40	4.03.03.03.035	4	54	Rubber plug	4.05.04.03.086	1
44	Stainless hex bolt M10x45	4.03.03.04.043	2	55	Flange screw M8x85 / 1035	4.03.02.01.026	4
45	Stainless hex bolt M8x50	4.03.03.04.028	2	56	M8 nut cap	4.05.04.04.009	6
46	Stainless hex bolt M8x55	4.03.03.04.036	2	57	Stainless steel large flat head self-tapping screw M4x16 / black	4.03.03.15.013	4
47	Flange screw M8x65 / 1035	4.03.02.01.082	4				

# Plastic Folding Rear Seat Belt Installation Drawing

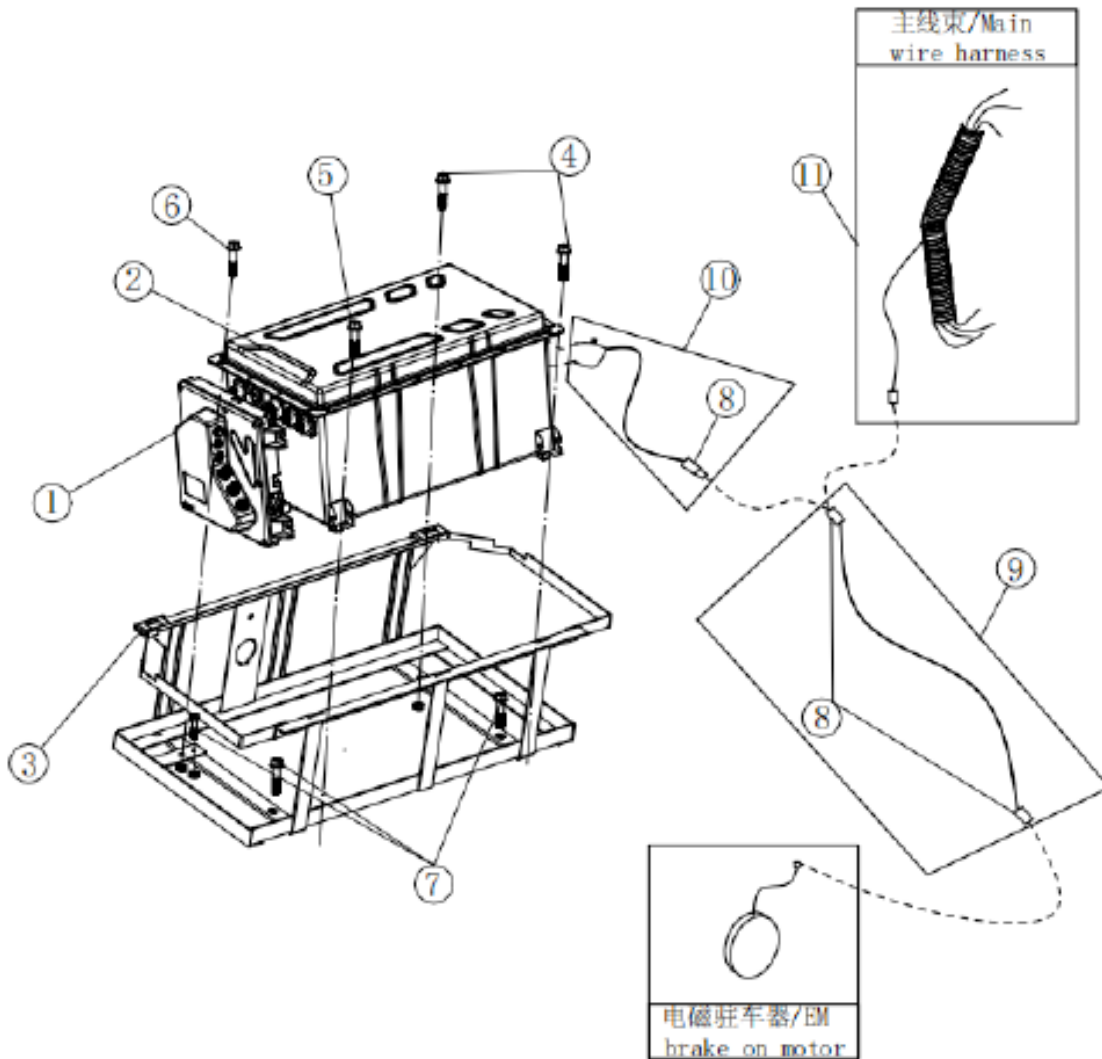


No.	Description	Part Number	Qty	No.	Description	Part Number	Qty
1	Rear flip seat safety belt U-tube	3.02.01.01.023	1	10	Stainless steel hex bolt M8x20	4.03.03.03.005	2
2	Flip seat belt fixing tube	3.02.01.05.086	1	11	Stainless steel hex bolt M8x50	4.03.03.04.028	2
3	Rear support base	3.02.01.33.138	2	12	Stainless steel hex bolt M8x45	4.03.03.04.027	2
4	Lock for seat belt	4.05.01.16.006	4	13	Stainless steel hex bolt M8x45	4.03.03.04.027	2
5	Seat belt mounting bracket, w/ fasteners	3.02.01.33.0104	1	14	Self-locking nut w/ locking plate M8x1.25/103	4.03.04.01.003	2
6	Flip seat belt adapter plate	3.02.01.05.087	1	15	Stainless steel cap nut / M8	4.03.04.04.007	16
7	Flip seat belt mount plate	3.02.01.05.067	1	16	Stainless steel nylon hexagonal self-locking nut M8	4.03.04.04.021	4
8	Stainless steel hex bolt M8x60	4.03.03.04.029	2				
9	Stainless steel hex bolt M8x25	4.03.03.04.24	8				

# Optional Plastic Folding Rear Seat Golf Bag Holder



No.	Description	Part Number	Qty	No.	Description	Part Number	Qty
1	Bag hoop	4.05.01.15.001	1	11	Flip seat ball bag holder base bracket	3.02.01.33.135	1
2	Flange screw M6x20 / 1035	4.03.02.01.004	2	12	Stainless phillips large flat head machine screws M6x20 / black	4.03.03.15.011	5
3	Flange screw M6x30 / 1035	4.03.02.01.006	4	13	Stainless round head self-tapping screws M6x25	4.03.03.01.034	4
4	Flip seat ball bag holder plastic adapter plate	4.05.01.42.012	1	14	Flip seat ball bag base mechanism cover LH	4.05.01.42.008	1
5	Club barrel	4.05.01.14.001	2	15	Flip seat ball bag base	4.05.01.42.006	4
6	Flip seat ball bag holder adapter plate fixing plate	3.02.01.05.074	2	16	Flange screw M6x30 / 1035	4.03.02.01.006	1
7	Flange screw M6x45 / 1035	4.03.02.01.009	4	17	Flip seat armrest for bag holder (steel)	3.02.01.05.090	1
8	Flip seat club barrel lower brkt.	3.02.01.05.076	2	18	Plastic Folding Rear Seat golf bag holder assembly	2.01.01.01.008	1
9	Flange screw M8x35 / 1035	4.03.02.01.017	4				
10	Flip seat ball bag base mechanism cover RH	4.05.01.42.007	1				

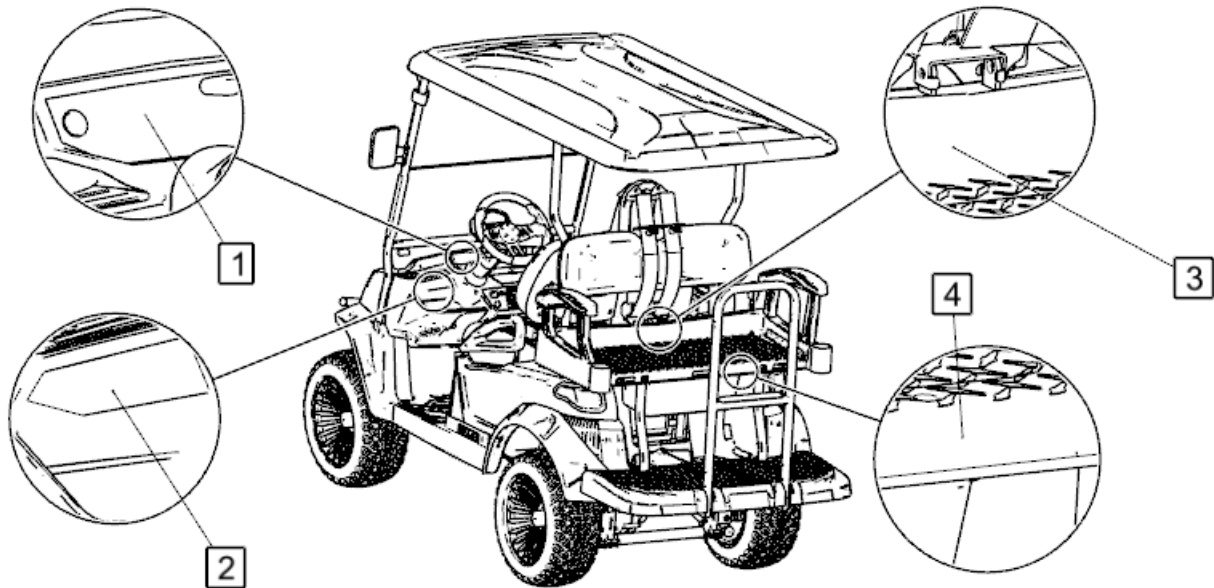


No.	Description	Part Number	Qty
1	BMS BI5116 box	Y.02.02.0004	1
2	48V 210 Amp Hr lithium battery	4.04.01.09.130	1
3	Lithium battery holder	3.02.01.08.029	1
4	Flange screw M6x125 / 1035	4.03.02.01.091	2
5	Flange screw M6x45 / 1035	4.03.02.01.009	1
6	Flange screw M6x60 / 1035	4.03.02.01.012	1
7	Hexagon washer self-drilling screw M8-12x50 / 1022a	4.03.02.06.023	3
8A	Male end cap 302A0242 for EM brake cable	4.04.06.29.001	1
8B	Female end cap 302A0242 for EM brake cable	4.04.06.29.002	1
9	EM brake extend cable 1M	2.01.02.11.049	1
10	EM brake wire harness	2.01.02.11.050	1
11	4P Main wire harness	4.04.03.16.044	1





No.	Description	Part Number
1	Front head light	
2	Running light	
3	Turn signal	
4	Flasher	(4.04.02.04.008)
5	Horn relay	(4.04.02.05.031)
6	High beam relay	(4.04.02.05.031)
7	Hazard light switch	(4.04.02.11.002)
8	Bistable relay	(4.04.14.02.020)
9	Front storage light	
10	Continuous DCDC input	
11	Reserved	
12	Reserved	
13	Grill light	
14	Reserved	
15	Reserved	
16	DCDC output	
17	USB port	
18	Taillight	
19	Combination switch	
20	Front head light	
21	Running light	
22	Turn signal	



**WARNING**

SERIOUS INJURY OR DEATH MAY OCCUR WITH UNINTENDED MOVEMENT, COLLISION, ROLLOVERS OR FALLING OUT FROM VEHICLE  
 MAXLOAD: 2P = 500 lbs. MAX GRADE: 20%  
 4P = 900 lbs.

- Only authorized and/or licensed personnel should operate this vehicle
- All operators should follow in compliance with local and state laws
- Uneven surfaces, high traffic areas and driving near higher speed vehicles should be done with caution
- Do not obstruct traffic with operation of this vehicle
- All occupants should be fully seated before the start and operation of this vehicle
- Maximum occupants per bench seat is two (2)
- Only driver side occupant should operate this vehicle
- Children should not be unattended with vehicle at any time
- Slower speed should be used when making turns and driving on inclined/declined surfaces
- Occupants should keep entire body secure within vehicle while vehicle is in motion
- This vehicle should not be operated under the influence of drugs or alcohol
- This vehicle should not be operated when distracted

**1** Part No. 4.05.03.01.045.06 Quantity 1

**OPERATING INSTRUCTIONS**

Users should read the vehicle manual and safety warnings to fully understand vehicle operation before use.

- Turn wheels in the direction of a clear path.
- Turn key to the ON position.
- Only shift to forward or reverse when vehicle is completely stopped
- Pressing on accelerator pedal will cause vehicle to move
- To increase vehicle speed, gradually press accelerator pedal
- Release accelerator pedal and press down brake pedal to "bring" vehicle to full stop
- Severe injury or death may occur with unintended vehicle movement
- Make sure parking brake is engaged when not in operation
- Vehicle should be placed in Neutral when parking
- Turn key to the off position and remove from key hole when not in operation

**2** Part No. 4.05.03.01.045.05 Quantity 1

**WARNING!**

**DO NOT RIDE IN CARGO BED**

- Cargo bed is NOT intended as passenger seating, do not ride in cargo bed
- Severe injury or death may occur to passengers riding in cargo bed

**CARGO BED MAX CAPACITY: 150b/68kg**

**3** Part No. 4.05.03.01.045.07 Quantity 1

**WARNING!**

**SERIOUS INJURY OR DEATH MAY OCCUR WHEN EJECTED FROM OR FALLING OUT OF VEHICLE.**

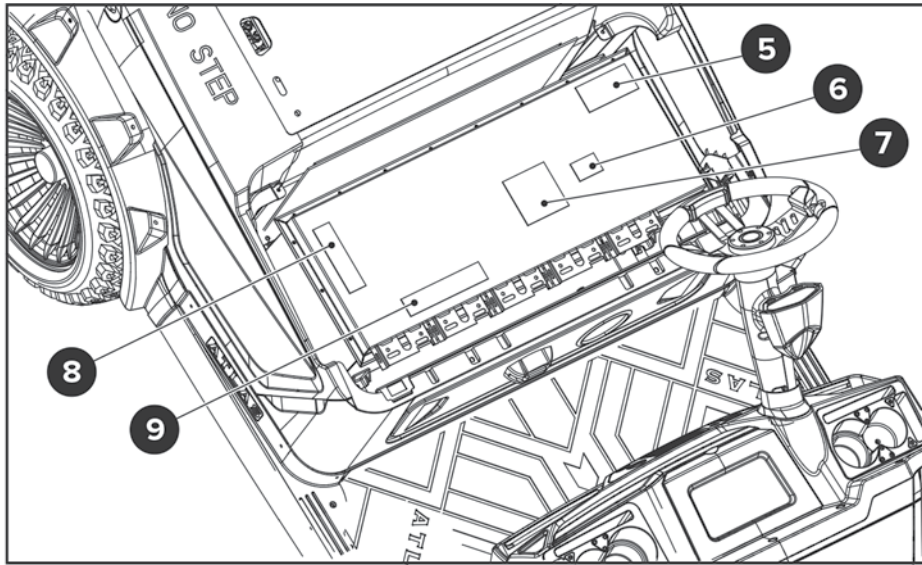
- Maximum occupants per bench seat is two(2)
- Entire body should be kept within moving vehicle
- Occupants should hold on to grab bars securely while vehicle is in motion

**4** Part No. 4.05.03.01.045.08 Quantity 1

**WARNING!**

**SERIOUS INJURY OR DEATH MAY OCCUR WHEN EJECTED FROM OR FALLING OUT OF VEHICLE.**

- Occupants should remain fully seated in vehicle while it is in motion
- Children should not be unattended with this vehicle at anytime. Children who may require a child safety seat should not ride in this vehicle



5



Part No. 4.05.03.01.045.01      Quantity 1

6



Part No. 4.05.03.01.045.02      Quantity 1

7



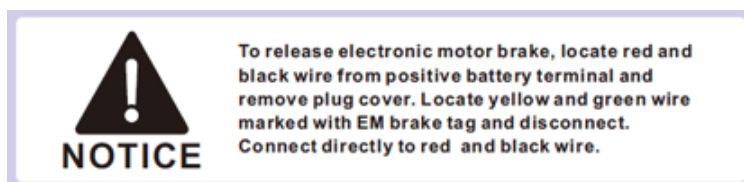
Part No. 4.05.03.01.045.04      Quantity 1

8

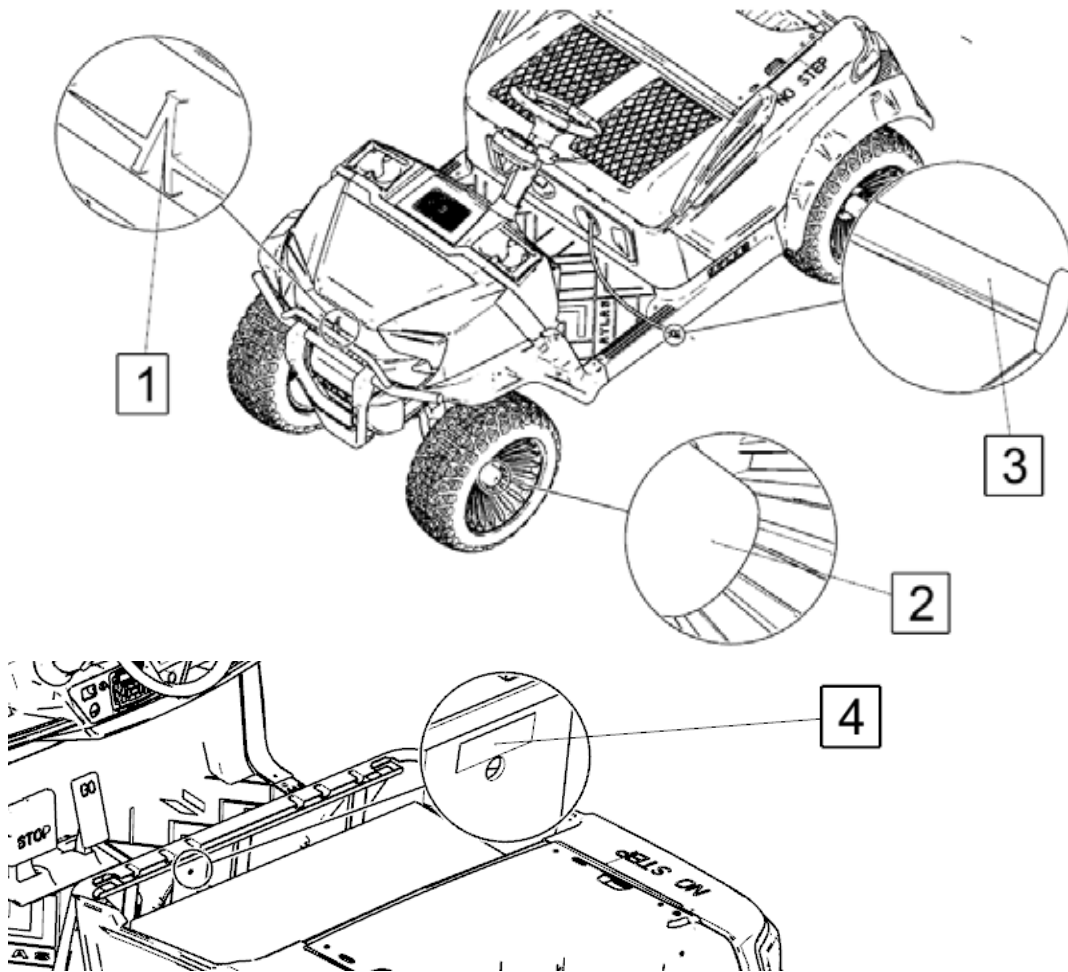


Part No. 4.05.03.01.045.03      Quantity 1

9



Part No. 4.05.03.01.045.09      Quantity 1



1



Front Logo

Part No.  
4.05.03.01.009

Quantity  
1

2



Wheel Logo  
50mm

Part No.  
4.05.03.01.004

Quantity  
4

3



AC Cord Warning Decal

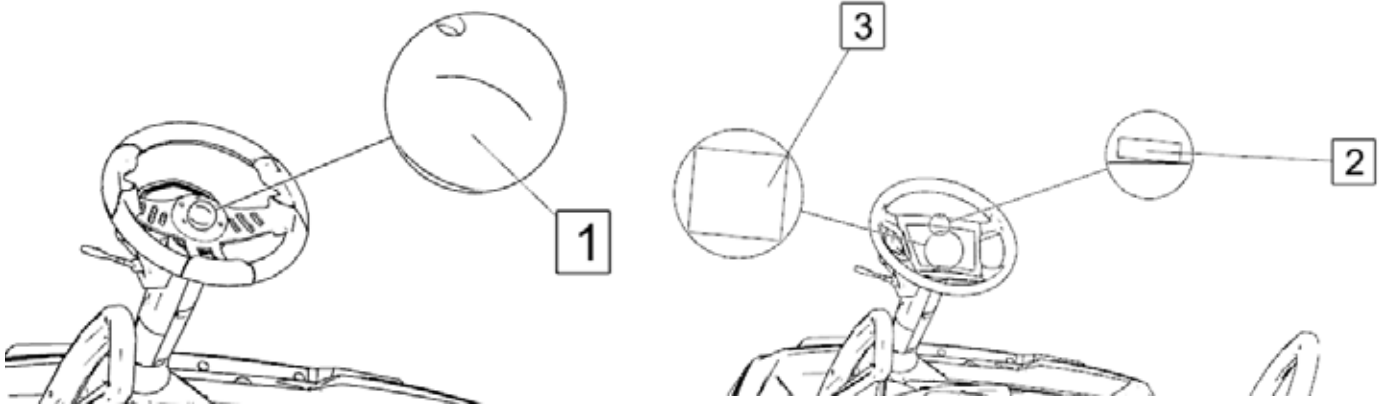
Part No.                      Quantity  
4.05.03.01.045.10        1

4



ON / OFF Decal

Part No.                      Quantity  
4.05.03.01.042            1



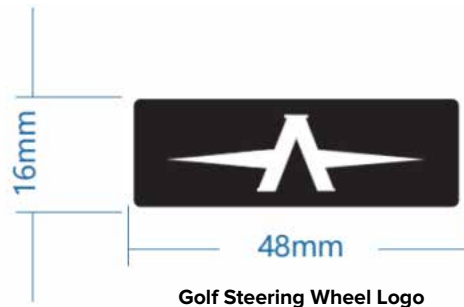
1



**Sport Steering Wheel Logo**

Part No.	Quantity
4.05.03.01.014.01	1

2



**Golf Steering Wheel Logo**

Part No.	Quantity
4.05.03.01.014.02	1

3



**Operation Guide for Golf Steering Wheel**

Part No.	Quantity
4.05.03.01.013	1

